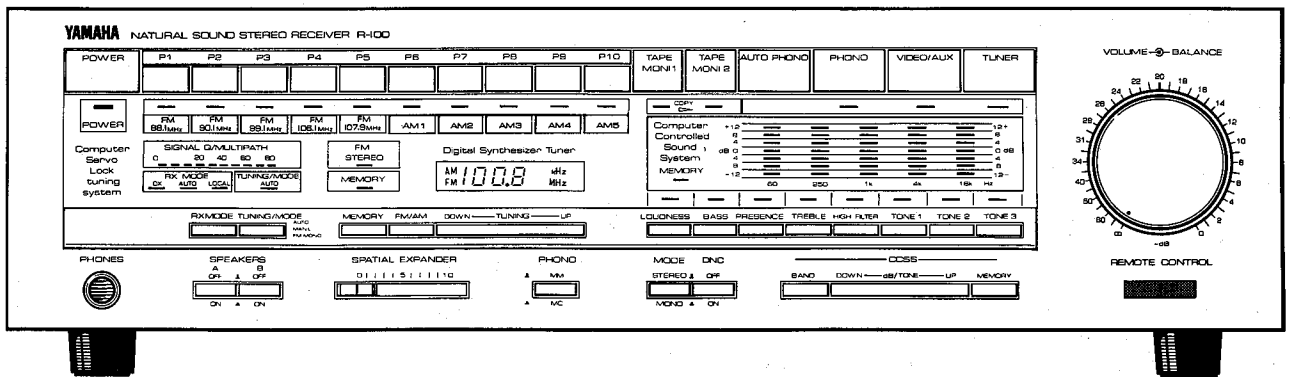


STEREO RECEIVER

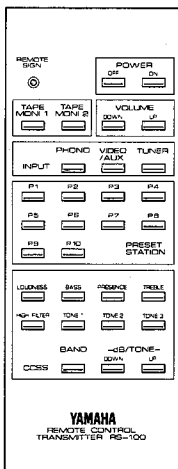
R-100

SERVICE MANUAL

FRONT PANEL



REMOTE CONTROL TRANSMITTER RS-100



CONTENTS

TO SERVICE PERSONNEL	1
REAR PANEL	1
SPECIFICATIONS	2
NAMES OF THE PARTS	2
DISASSEMBLY INSTRUCTIONS	4
GENERAL ADJUSTMENTS	5
WIRING	8
PRINTED CIRCUIT BOARD LAYOUT	9
SCHEMATIC DIAGRAM	11
BLOCK DIAGRAM	11
EXPLODED VIEW	12
PARTS LIST	13



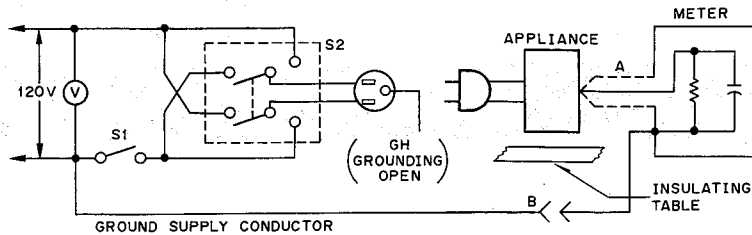
TO SERVICE PERSONNEL

(Prepared in accordance with UL Standard 1270)

Before service of this appliance by you, please carefully read this service manual.

Please make Leakage-current or Resistance measurements by suitable meter to determine that exposed parts are acceptably insulated from the supply circuit before returning the appliance to the customer.

LEAKAGE CURRENT MEASUREMENT CIRCUITS



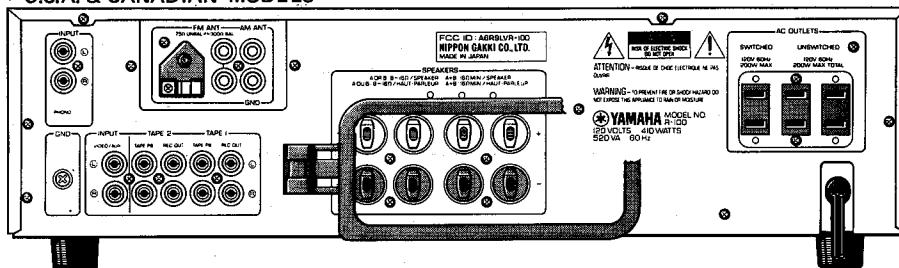
Appliance intended for connection to a 120 volt power supply.

- A : PROBE WITH SHIELDED LEAD.
- B : SEPARATED AND USED AS CLIP WHEN MEASURING CURRENTS FROM ONE PART OF APPLIANCE TO ANOTHER.

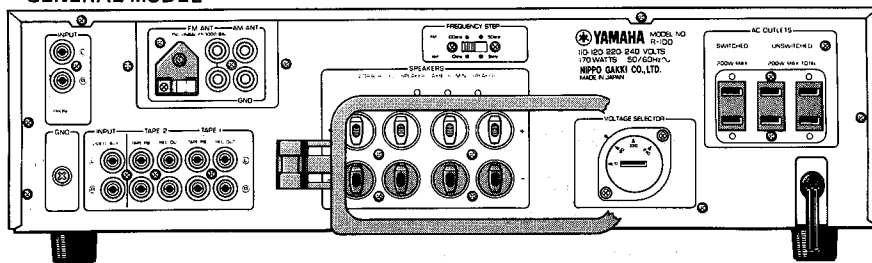
Confirm that the leakage current is not more than 0.5 mA. A.C.

REAR PANEL

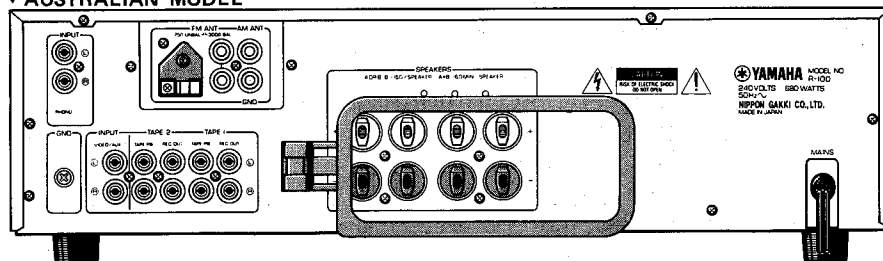
U.S.A. & CANADIAN MODELS



GENERAL MODEL



AUSTRALIAN MODEL



SPECIFICATIONS

AUDIO SECTION

Minimum RMS Output Power per Channel

8 ohms, 20 Hz to 20 kHz, 0.01% THD	100 W
4 ohms, 1 kHz, IHF Signal (Dynamic Power)	130 W
2 ohms, 1 kHz, IHF Signal (Dynamic Power)	130 W

Dynamic Headroom

(IHF, 8 ohms)	1.5 dB
---------------	--------

Power Bandwidth

8 ohms, 0.012% THD, 50 W	10 Hz to 30 kHz
--------------------------	-----------------

Damping Factor

(8 ohms, 1 kHz)	45
-----------------	----

Input Sensitivity/Impedance

Phono MM	2.5 mV/47 k-ohms
Phono MC	160 μ V/100 ohms
Aux/Tape/Tuner	120 mV/47 k-ohms

Input Sensitivity (New IHF)

Phono MM	0.25mV
Phono MC	16 μ V
Aux/Tape/Tuner	12 mV

Maximum Input Level

(1 kHz, 0.02% THD)	
Phono MM	110 mV
Phono MC	7 mV

Output Level/Impedance

Rec Out	120mV/4.7kohms
---------	----------------

Headphone Output/Impedance

(0.02% THD)	0.81 V/270 ohms
-------------	-----------------

Frequency Response

Aux/Tape/Tuner (20 Hz to 20 kHz)	+0, -1 dB
-------------------------------------	-----------

RIAA Deviation

Phono MM (20 Hz to 20 kHz)	\pm 0.5 dB
Phono MC (50 Hz to 20 kHz)	\pm 0.5 dB

Total Harmonic Distortion (20 Hz to 20 kHz)

Phono MM to Rec Out (1 V)	0.008%
Phono MC to Rec Out (1 V)	0.008%
Aux/Tape/Tuner to Sp Out (1 W/8 ohms)	0.008%

Intermodulation Distortion

Aux/Tape/Tuner (Rated Power/8 ohms)	0.01%
--	-------

Signal-to-Noise Ratio (IHF A Network)

Phono MM (5 mV, Input Shorted)	88 dB
Phono MC (500 μ V, Input Shorted)	75 dB
Aux/Tape/Tuner (AM position, Input Shorted)	100 dB

Signal-to-Noise Ratio (New IHF)

Phono MM	72 dB
Phono MC	74 dB
Aux/Tape/Tuner (AM Position)	81 dB

Residual Noise

(IHF A Net work)	140 μ V
------------------	-------------

Channel Separation (1 kHz)

Phono MM (Input Shorted)	60 dB
Aux/Tape (5.1 k-ohms Shorted)	60 dB

Filter Characteristics

Low (Subsonic, Built-in)	15 Hz, -12 dB/oct
--------------------------	-------------------

CCSS Tone Control Characteristics

Loudness

Preset 60/250/1k/4k/16kHz	-1/-4/-7/-7/-4dB \pm 2dB
Max. 60/250/1k/4k/16kHz	-4/-10/-13/-13/-6dB \pm 2dB

Bass

Preset 60/250/1k/4k/16kHz	9/6/4/1/0dB \pm 2dB
Max. 60/250/1k/4k/16kHz	12/10/4/1/0dB \pm 2dB

Presence

Preset 60/250/1k/4k/16kHz	0/0/2/4/2 dB \pm 2dB
Max. 60/250/1k/4k/16kHz	-2/0/6/9/5 dB \pm 2dB

Treble

Preset 60/250/1k/4k/16kHz	0/0/0/3/6 dB \pm 2dB
Max. 60/250/1k/4k/16kHz	0/0/1/7/11 dB \pm 2dB

High Filter

Preset 60/250/1k/4k/16kHz	0/0/0/-2/-2 dB \pm 2dB
Max. 60/250/1k/4k/16kHz	0/0/-2/-7/-11dB \pm 2dB

FM SECTION

Tuning Range 87.5 to 108.0 MHz

50 dB Quieting Sensitivity (IHF, 75 ohms)
Mono/Stereo 1.5 μ V (14.8 dBf)/
20 μ V (37.3 dB)

**Usable Sensitivity (30 dB Quieting,
75 ohms, Mono)** 0.75 μ V (8.8 dBf)

Image Response Ratio 75 dB

IF Response Ratio 95 dB

Spurious Response Ratio 95 dB

AM Suppression Ratio 66 dB

Capture Ratio 1.2 dB (Local)
2.5 dB (DX)

Alternate Channel Selectivity

(IHF) 35 dB (Local)/85 dB (DX)

Signal-to-Noise Ratio (IHF)

Mono/Stereo 88 dB/83 dB

Harmonic Distortion (Local)

Mono
(100 Hz/1 kHz/6 kHz) 0.05%/0.05%/0.1%

Stereo
(100 Hz/1 kHz/6 kHz) 0.07%/0.07%/0.15%

Stereo Separation (IHF, Local)

50 Hz/1 kHz/10 kHz 50 dB/50 dB/45 dB

Frequency Response

50 Hz to 10 kHz \pm 0.3 dB
30 Hz to 15 kHz +0.3, -0.5 dB

Subcarrier Product Ratio (IHF) 55 dB

AM SECTION

Tuning Range 510 kHz to 1,620 kHz

Usable Sensitivity 250 μ V/m

Selectivity 25 dB

Signal-to-Noise Ratio 52 dB

Image Response Ratio 40 dB

Spurious Response Ratio 50 dB

Harmonic Distortion (400 Hz) 0.3%

Output Level/Impedance (Fixed)

FM 100% mod. 1 kHz 500 mV/5 k-ohms
AM 30% mod. 400 Hz 150 mV/5 k-ohms

GENERAL

Power Supply AC 120V/60Hz (U,C)
AC 240V/50Hz (A)
AC110/120/220/240V
50/60Hz (R)

Power Consumption 410W (U,C)
170W (R)
680W (A)

AC Outlet

Switched x 1 200 W max.
Unswitched x 2 200 W max. total

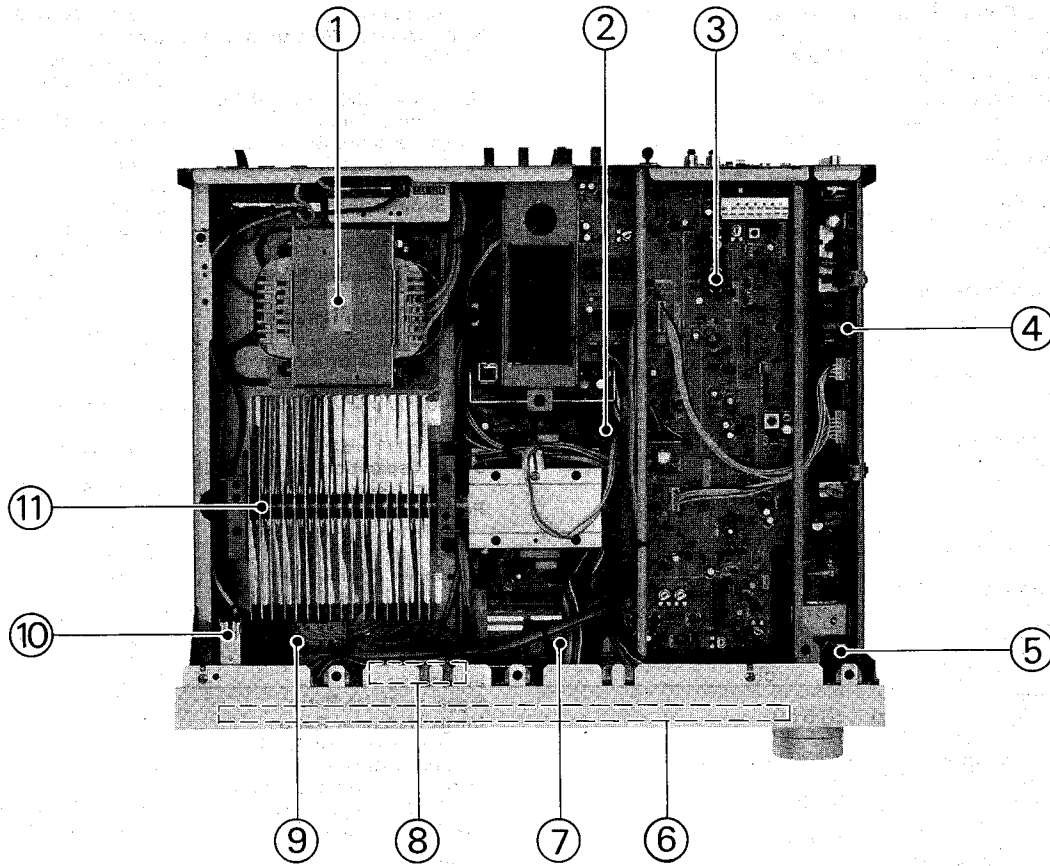
Dimensions (W x H x D) 435 x 122 x 386 mm
(17-1/8" x 4-13/16" x
15-3/16")

Weight 11 kg (24 lbs. 3 oz.)

Specifications subject to change without notice.

U U.S.A Model
C Canadian Model
A Australian Model
R General Model

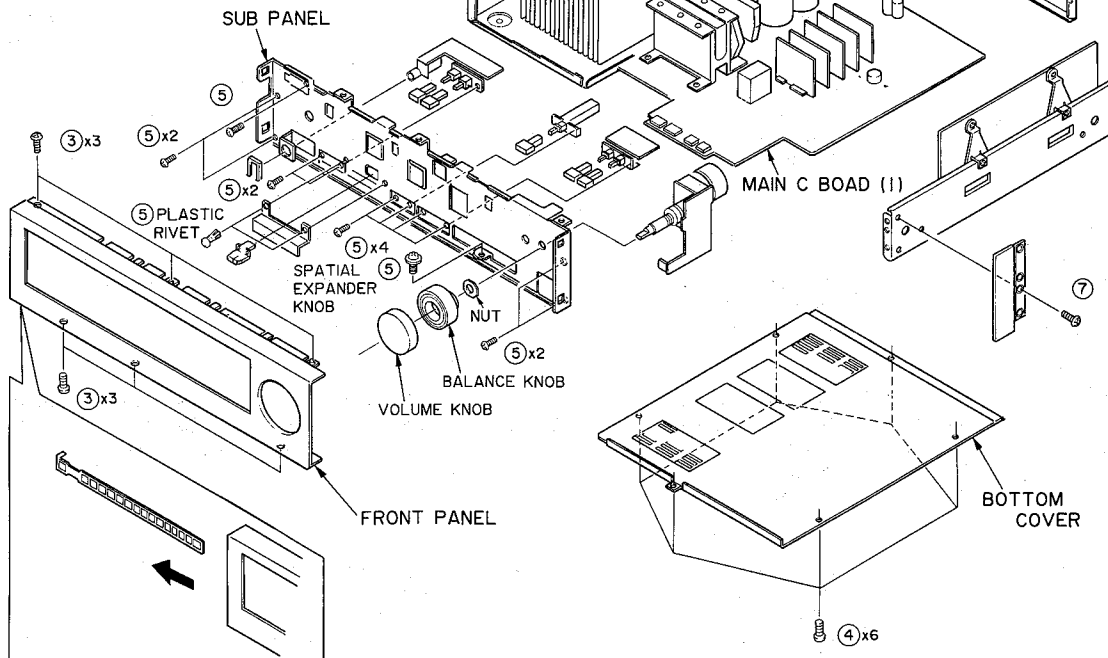
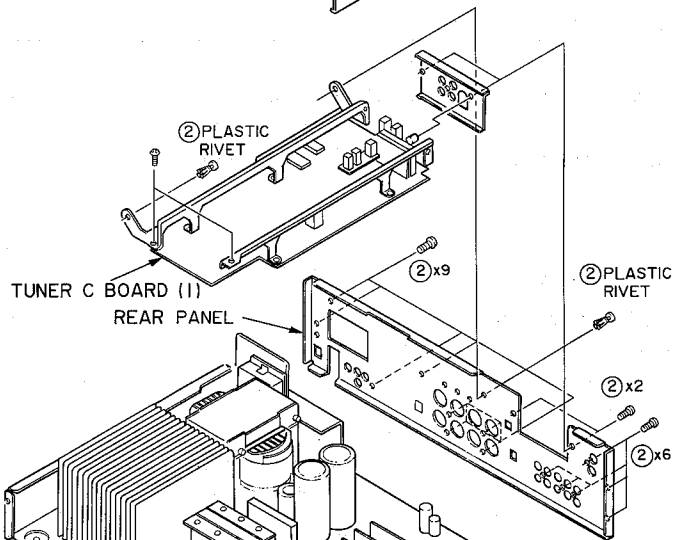
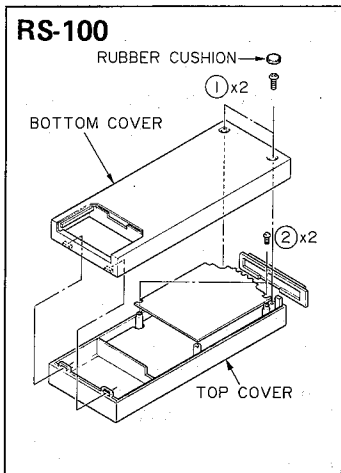
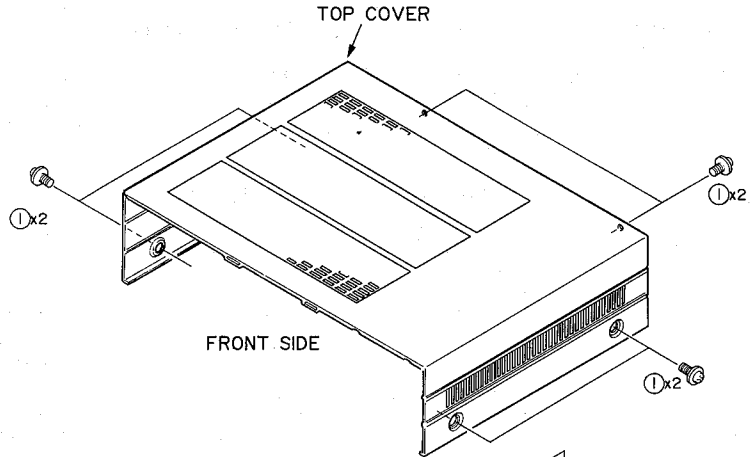
■ NAMES OF THE PARTS



- 1 Power Transformer
- 2 Main Circuit Board (1)
- 3 Tuner Circuit Board (2)
- 4 Tuner Circuit Board (1)
- 5 CCSS Circuit Board (6)
- 6 Key Board Unit
- 7 Main Circuit Board (3)
- 8 Main Circuit Board (4)
- 9 Main Circuit Board (2)
- 10 Power Switch
- 11 Heat Sink

■DISASSEMBLY INSTRUCTIONS (Remove parts in order of disassembly as numbered.)

- 1 Removed Top Cover
- 2 Removed Rear Panel
- 3 Removed Front Panel
- 4 Removed Bottom Cover
- 5 Removed Sub-chassis



■ GENERAL ADJUSTMENTS

1 Confirmation of Audio Section

Step	Confirmation	Test Point	Rating or Standard	Adjustment Method	Remark
1	Gain	IC415 (Lch) IC416 (Rch) Across pin 8 and E.	+10V ± 1V	Apply a 1 kHz, 100 mV sine wave signal to the points "BL" and "BR".	
2	DC offset	IC415 (Lch) IC416 (Rch) Across pin 8 and E.	0V ± 70 mV DC		
3	Phono Amp.	PL, PR	+120mV ± 20mV	Apply a 1 kHz, 2.5mV sine wave signal to phono input.	Phono selector set to MM.
				Apply a 1 kHz, 160 μV sine wave signal to phono input.	Phono selector set to MC

● REMOTE CONTROL SECTION CHECK

Point the supplied remote control unit RS-100 towards TPS 703 from a distance of 10 m, and con-

firm that at INT of step 11 a pulse signal is obtained when the VOLUME UP key of the remote control unit is pressed.

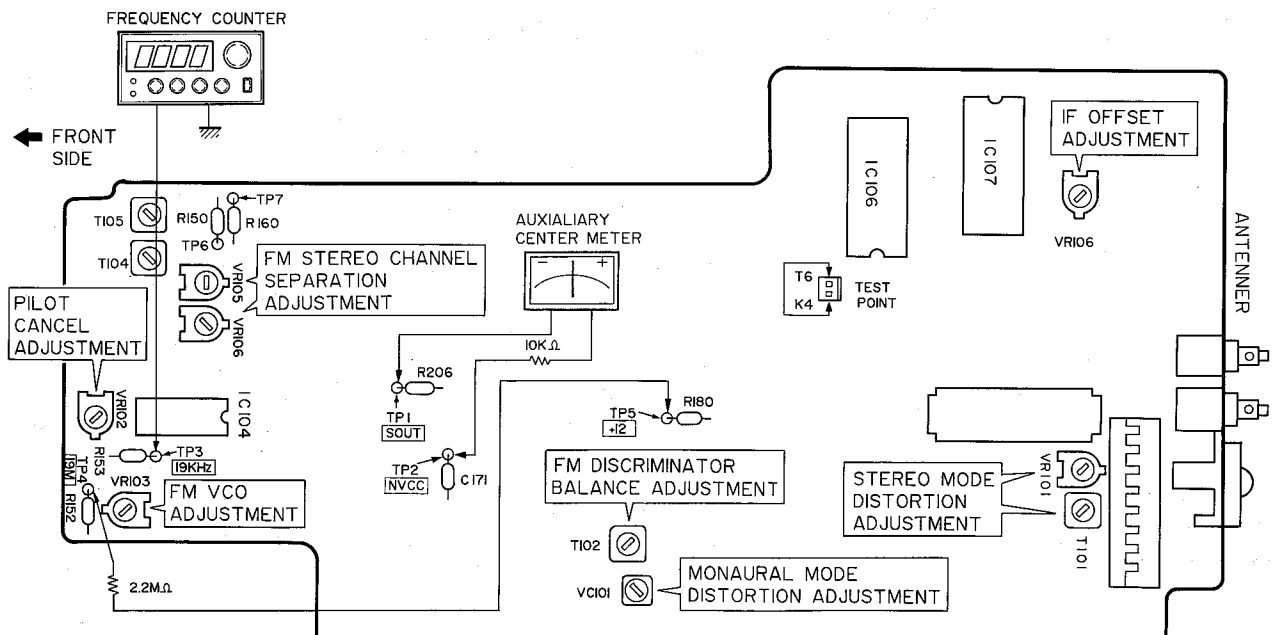
2 FM Tuner Section General Adjustments.

- Start with the adjustment procedure more than 3 minutes after switching on the power.

Step	Adjustment Item	Connection Terminal	Test Equipment	Adjustment Point	Adjustment Procedure	Specification (Standard Value)	Remarks
1	Discriminator balance	300 ohms ANT terminals REC OUT TP1 SOUT } TP2 NVCC }	FM signal generator, Stereo signal generator distortion meter, oscilloscope.	T102 (DISCRI CENTER)	Adjust the core of T102 for tuning meter zero deflection.		FUNCTION SW: FM De-tuned condition RX Mode: AUTO
			Connect a tuning meter via a 10 kohm resistor.				
2	Tuning point setting.		Antenna input 70 dBμ 98 MHz (75.2dBf) ↓	TUNING MODE ≈ AUTO UP or DOWN SW	Confirm that the designated frequency is received at appr. zero deflection of the tuning meter.		
3	Adjustment of monaural-mode distortion.		Monaural 100 Hz (400 Hz) 100% modulation.	VC101 (MONO DIST)	Adjust for minimum distortion.	< (-64dB)	
4	VCO adjustment.	TP3 19kHz GND } TP4 19M } TP5 +12 }	Zero modulation Connect a frequency counter. Connect a 2.2 Mohms resistor. (→ forced stereo)	VR103 (VCO)	Adjust for forced stereo at 19 kHz.	19KHz ± 20 Hz (±10 Hz)	Stereo indicator lit.
5	Adjustment of stereo-mode distortion		Disconnect the frequency counter and 2.2 Mohms resistor. Stereo L or R 1 kHz 100% modulation.	T101, VR101 (ST. DIST)	Adjust for minimum distortion. (Do not turn T101 excessively, as this will impair sensitivity.)	< -55 (60) dB.	

Step	Adjustment Item	Connection Terminal	Test Equipment	Adjustment Point	Adjustment Procedure	Specification (Standard Value)	Remarks
6	Monaural-mode distortion check		Monaural 1 kHz 100% modulation.		Confirm that monaural-mode distortion is within specifications.	< -60 (55) dB.	
7	Adjustment of channel separation.		Stereo L or R 1 kHz 100% modulation.	VR105 VR106	Adjust for maximum L → R and R → L channel separation.	> 42 (60) dB	
8	Adjustment of pilot signal cancellation		Pilot signal 9% only	VR102 (PILOT CANCEL)	Adjust for minimum carrier leak level.	> 46 (60) dB	
9	Signal indicator check				Confirm that all indicators are lit. (All out in detuned condition.)		
10	Discriminator balance check		Antenna input -10 dBμ (-4.8dBf)		Confirm that tuning meter deflection is zero.		If not satisfactory, repeat adjustment procedure of step 1.
11	IF offset adjustment	Short-circuit the TEST terminals K4 and T6.	Antenna input (75.2dBf) (98 MHz ±1 kHz).	VR106 (FM FINE)	By short-circuiting the TEST terminals, counter indication is shifted by one digit. Adjust the VR so that the 10 kHz digit becomes 9 or 0.		
12	Auto Search reception check	TEST terminals open.	Antenna input 20 dBμ (25.2dBf) 1kHz 100% modulation.		Confirm that Auto tuning is possible using the UP and DOWN switches. (Tuning mode : AUTO)		Confirm that the audio output muting is active during Search.

ADJUSTING POINTS



3 AM Tuner Section Specifications Check

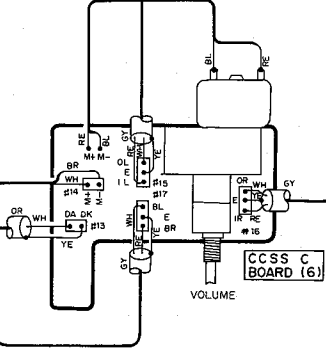
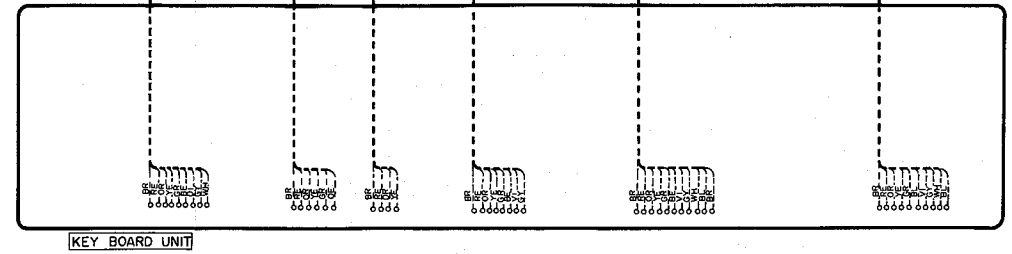
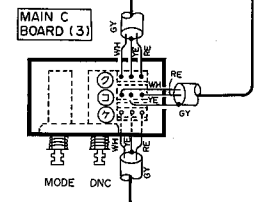
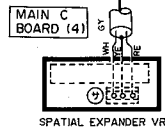
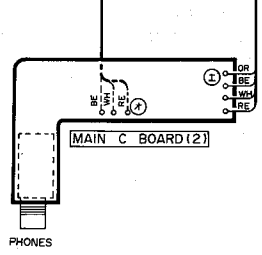
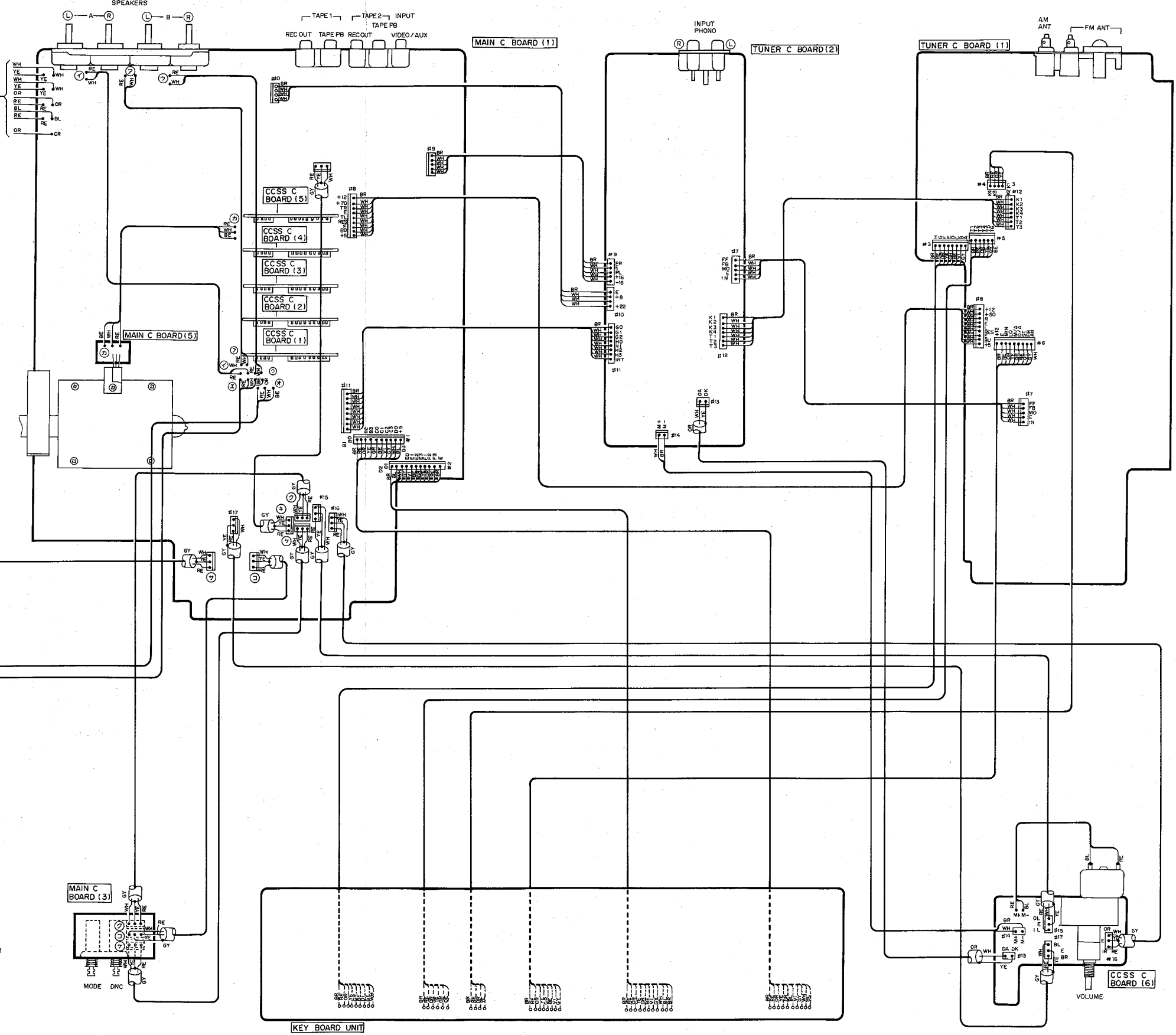
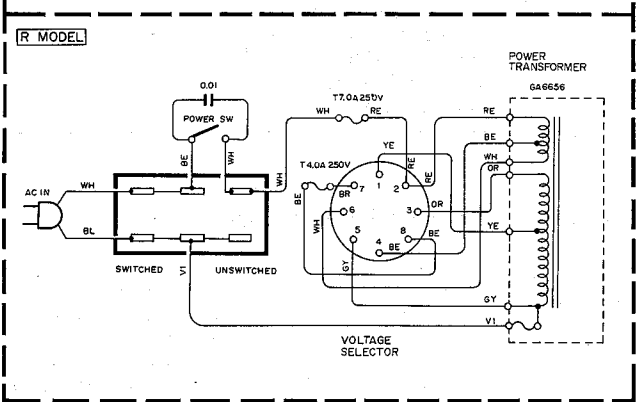
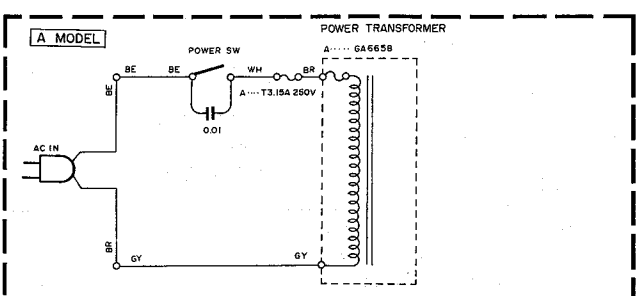
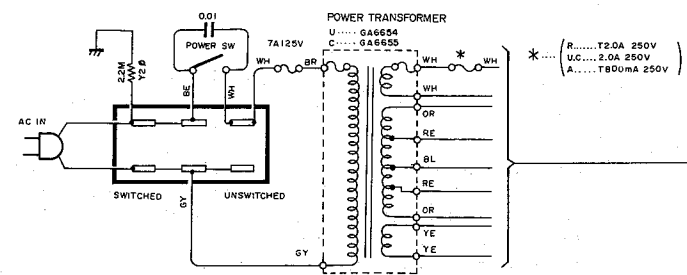
Step	Adjustment Item	Connection Terminal	Test Equipment	Adjustment Point	Adjustment Procedure	Specification (Standard Value)	Remarks
1		AM ANT. GND REC. OUT	Am signal generator, dummy antenna, oscilloscope, distortion meter.				* When the TEST terminals are short-circuited in the FM mode, the AM frequencies 630 kHz, 1440 kHz and 1080 kHz are automatically programmed in the preset memories 1 ~ 3. (If AM check is to be performed before FM adjustment, set the unit first to the FM mode and short-circuit the TEST terminals.)
2	Sensitivity check.		400 Hz 30% modulation. 630 kHz 1440kHz 1080 kHz	Preset SW 1 Preset SW 2 Preset SW 3	Confirm sensitivity.	< 55 (52) dB μ < 55 (52) dB μ < 55 (52) dB μ	
3	Signal indicator check		1080 kHz Antenna input 80 dB μ	Preset SW 3	Confirm that all indicators are lit. (All out in detuned condition.)		
4	Auto Search reception check.		Antenna input 60 dB μ		Confirm that Autotuning is possible using the UP and DOWN switches. (Tuning mode : AUTO)		

4 Digital Control Section Specifications Check (This check can be performed during 1 or 2.)

Step	Adjustment Item	Connection Terminal	Test Equipment	Adjustment Point	Adjustment Procedure	Specification (Standard Value)	Remarks
1	Preset check	300 ohms ANT Terminals AM ANT	FM signal generator FM 98 MHz 70 dB μ Mono 1 kHz 100% modulation AM signal generator AM 1080 kHz 80 dB μ 400 Hz 30% modulation. AM dummy ANT	FUNCTION FM AM TUNING MODE AUTO UP, DOWN SW MEMORY SW CHANNEL SW	1. Tune to FM 98 MHz and memorize into Preset 1. 2. Tune to AM 1080 kHz and memorize into Preset 2. 3. Press Preset 1 and 2 and confirm that correct memory contents are retrieved.		<ul style="list-style-type: none"> Memory switch pressed → Memory LED lights up → Preset 1 pressed → Memory LED goes out, Preset 1 LED lights up. Memory switch pressed → Memory LED lights up, Preset 1 LED flashes → Preset 2 pressed → Memory LED goes out, Preset 2 LED lights up. Preset 1 and 2 LEDs both lit.
2	Last-channel memory check			POWER SW	1. Select Preset 1. 2. Set the power switch to Off. 3. Set the power switch to On again after 5 seconds. 4. Confirm that unit is tuned to Preset 1 frequency. (Preset indicator does not light.)		

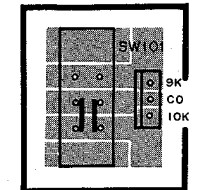
WIRING

1
2
3
4
5
6
7
8

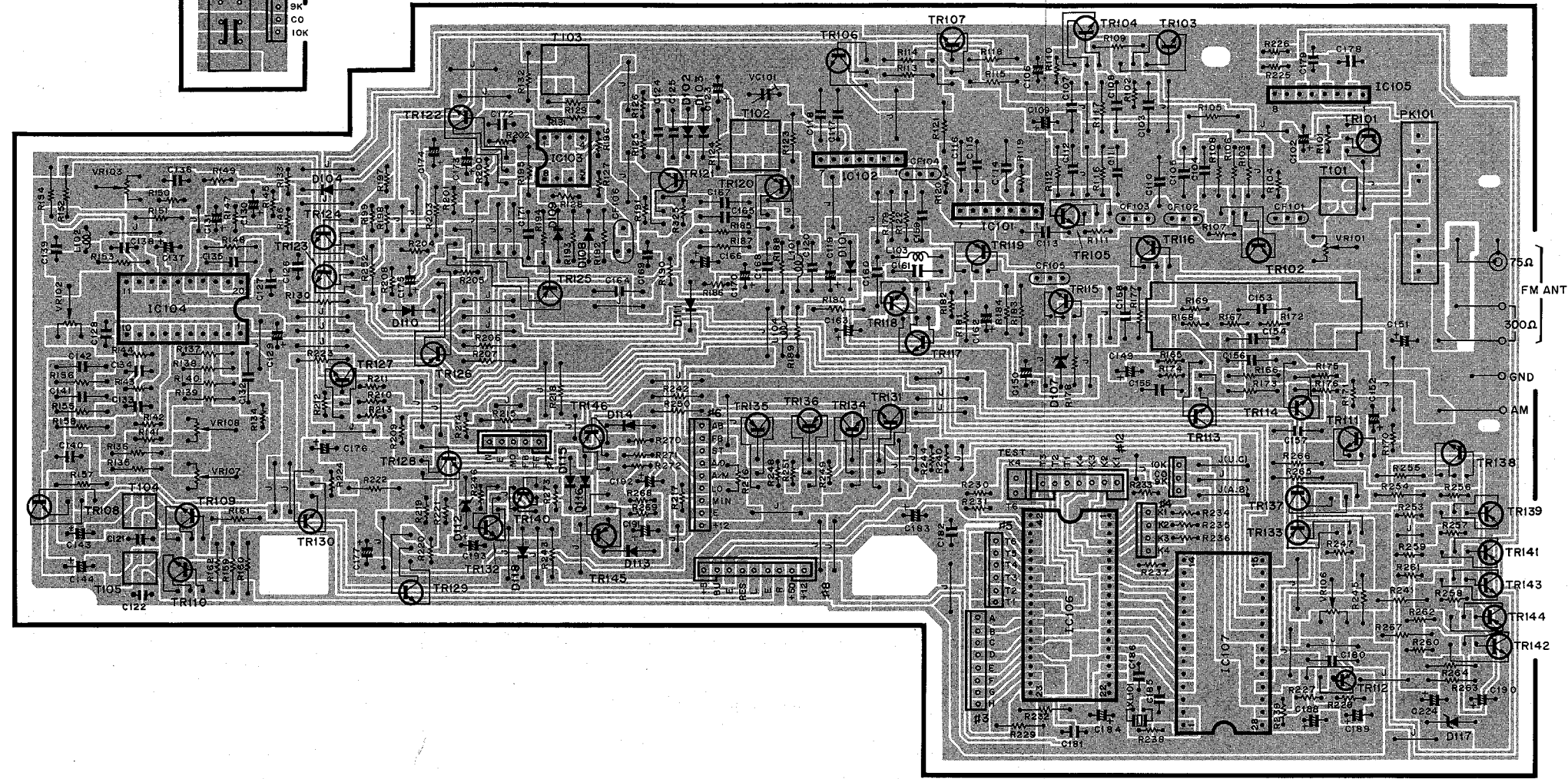


PRINTED CIRCUIT BOARD LAYOUT

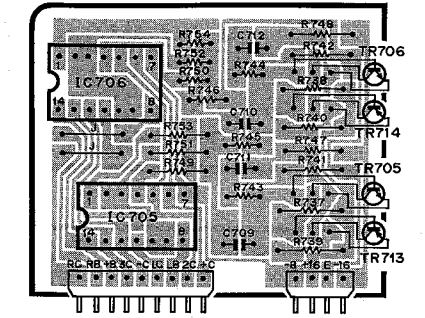
TUNER(3) R Modl only



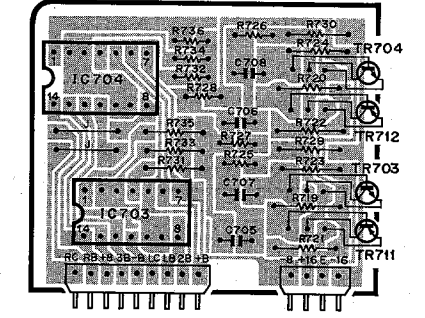
TUNER(1)



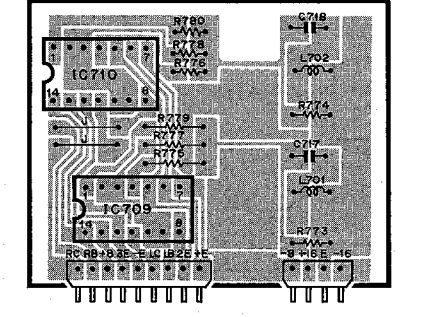
CCSS(1)



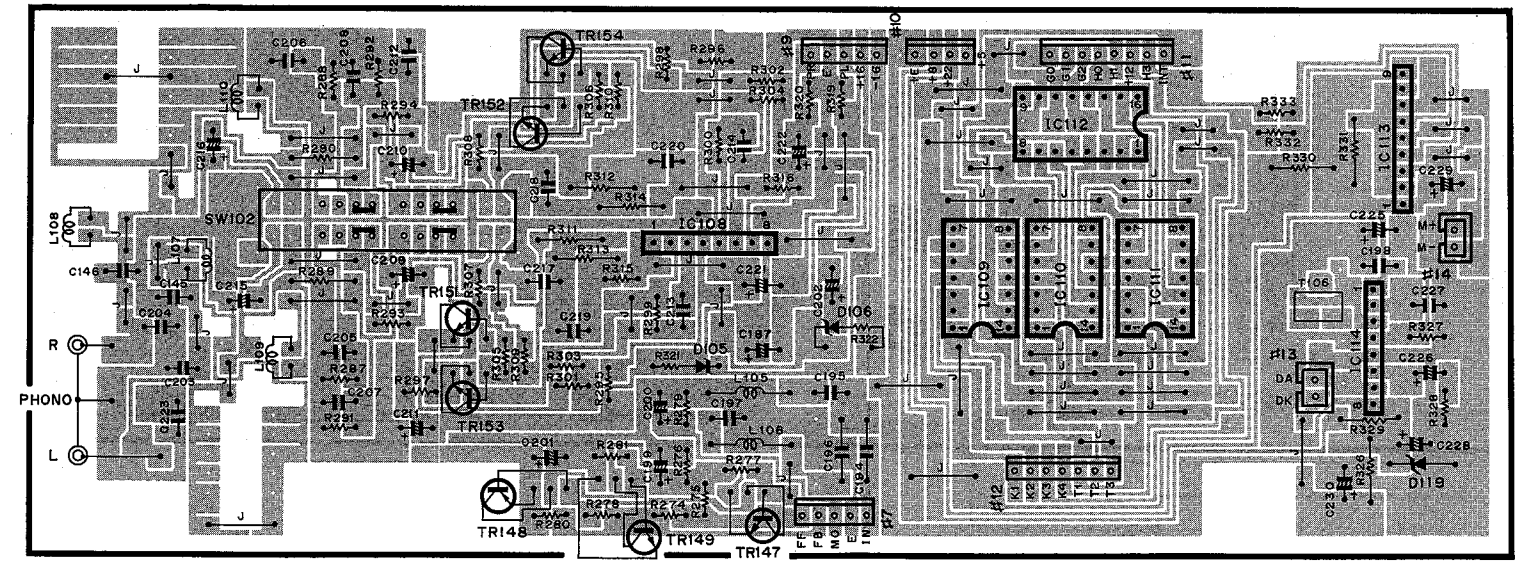
CCSS(2)



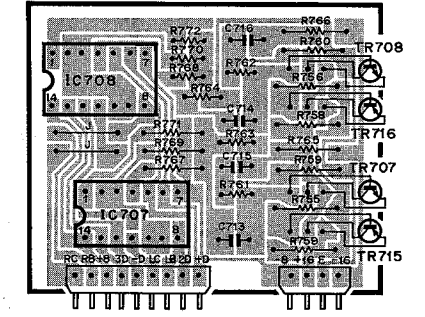
CCSS(3)



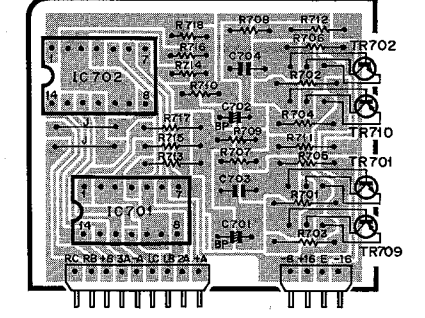
TUNER(2)



CCSS(4)

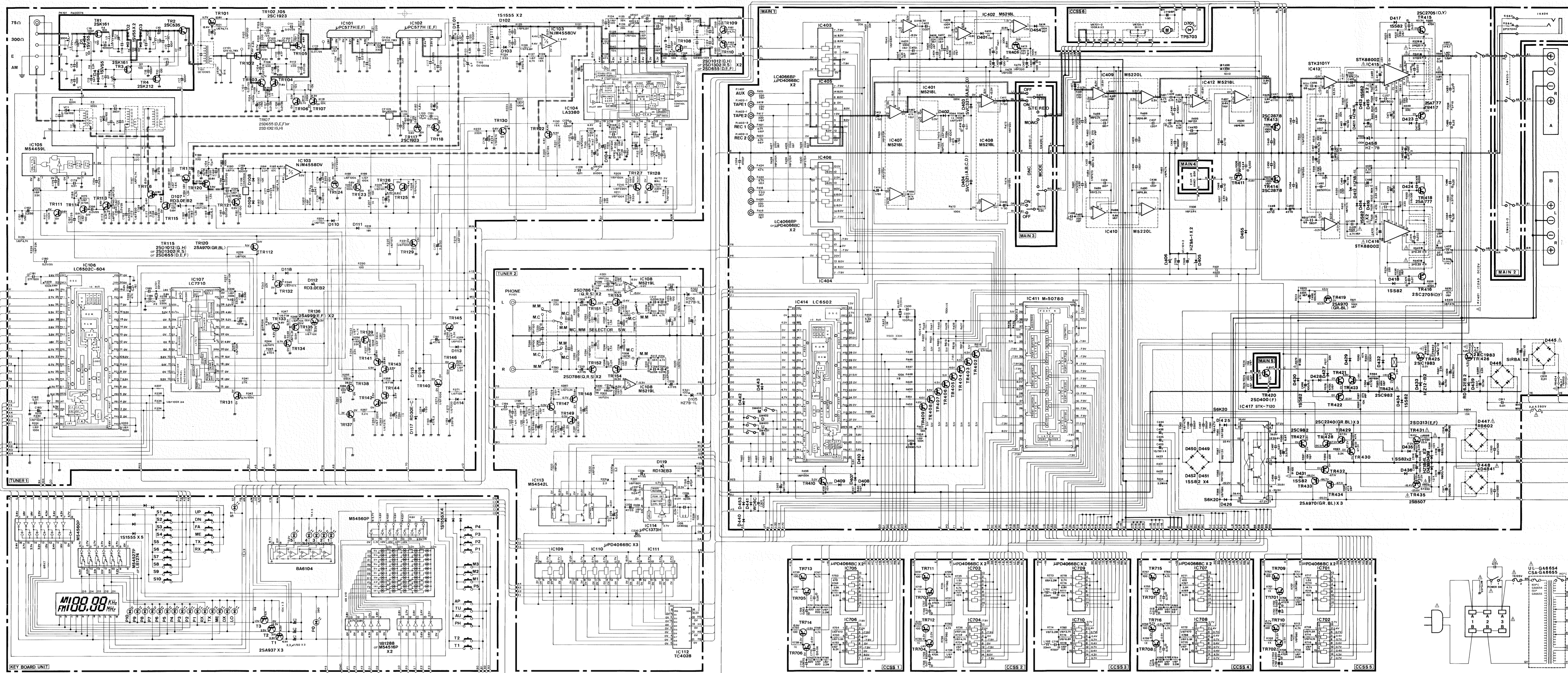


CCSS(5)



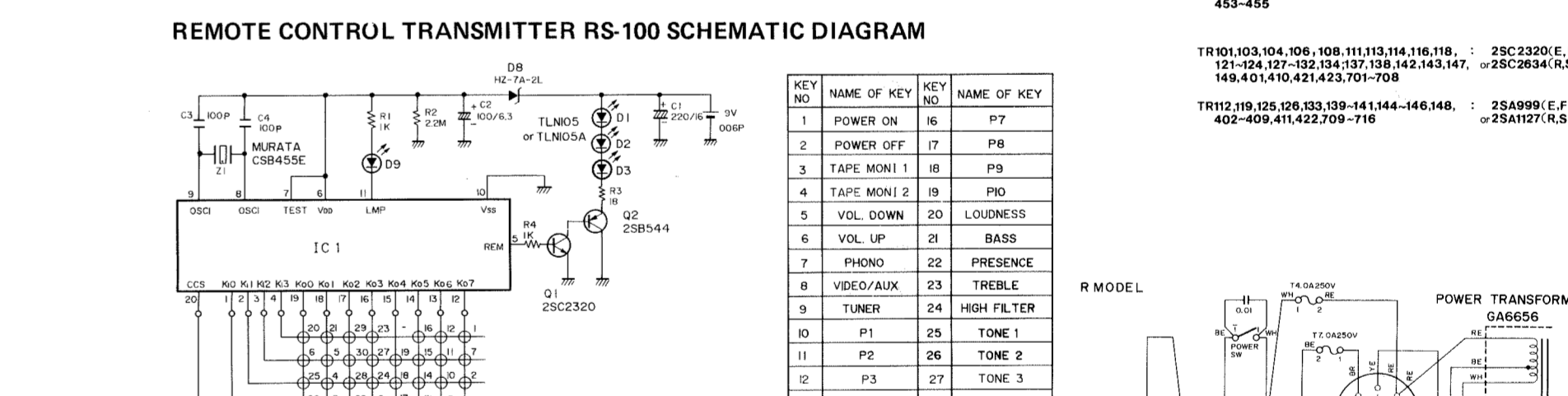
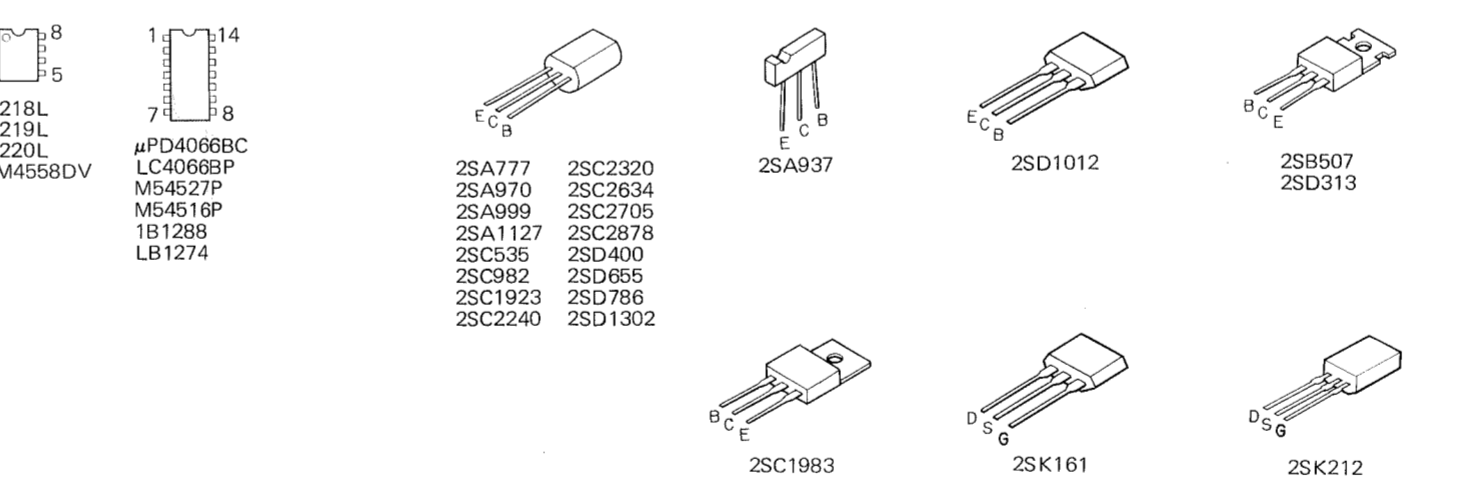
1
2
3
4
5
6
7

COMPLETE CIRCUIT DIAGRAM

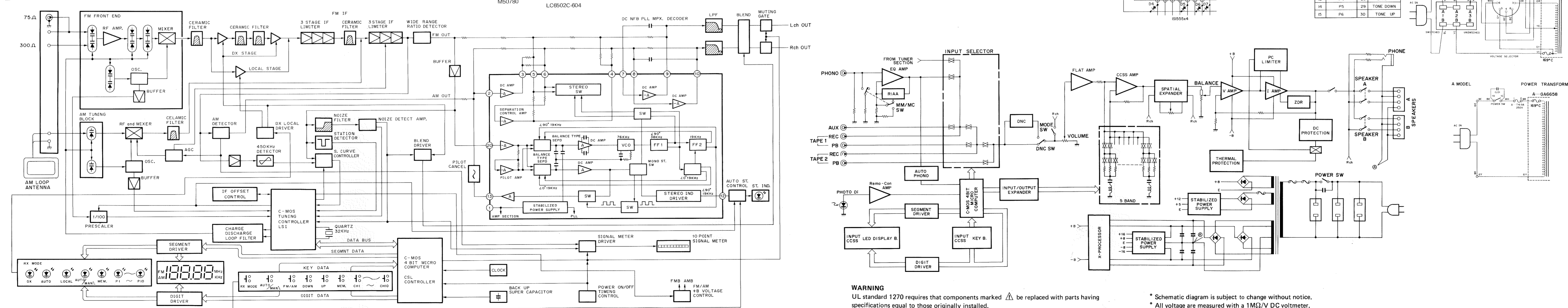


SYMBOL	PARTS NAME	REMARKS
NO MARK	CARBON RESISTOR	
▲	FLAME PROOF CARBON RESISTOR	
■	METAL FILM RESISTOR	
□	METAL OXIDE FILM RESISTOR	
■	FLAME PROOF RESISTOR	
■	CEMENT MOLDED RESISTOR	
□	DUAL METAL PLATE RESISTOR	
—/—	FUSE RESISTOR	
⊕	SEMI VARIABLE RESISTOR	

SYMBOL	PARTS NAME	REMARKS
NO MARK	CERAMIC CAPACITOR	
▲	OIL PAPER CAPACITOR	
■	METALIZED POLYESTER FILM CAPACITOR	
○	MYLAR CAPACITOR	
○	POLYSTYRENE FILM CAPACITOR	
□	MICA CAPACITOR	
PS	P.S. CAPACITOR	
NO MARK	ELECTROLYTIC CAPACITOR	
⊗	TANTALUM CAPACITOR	
BP	NON POLAR CAPACITOR	



BLOCK DIAGRAM

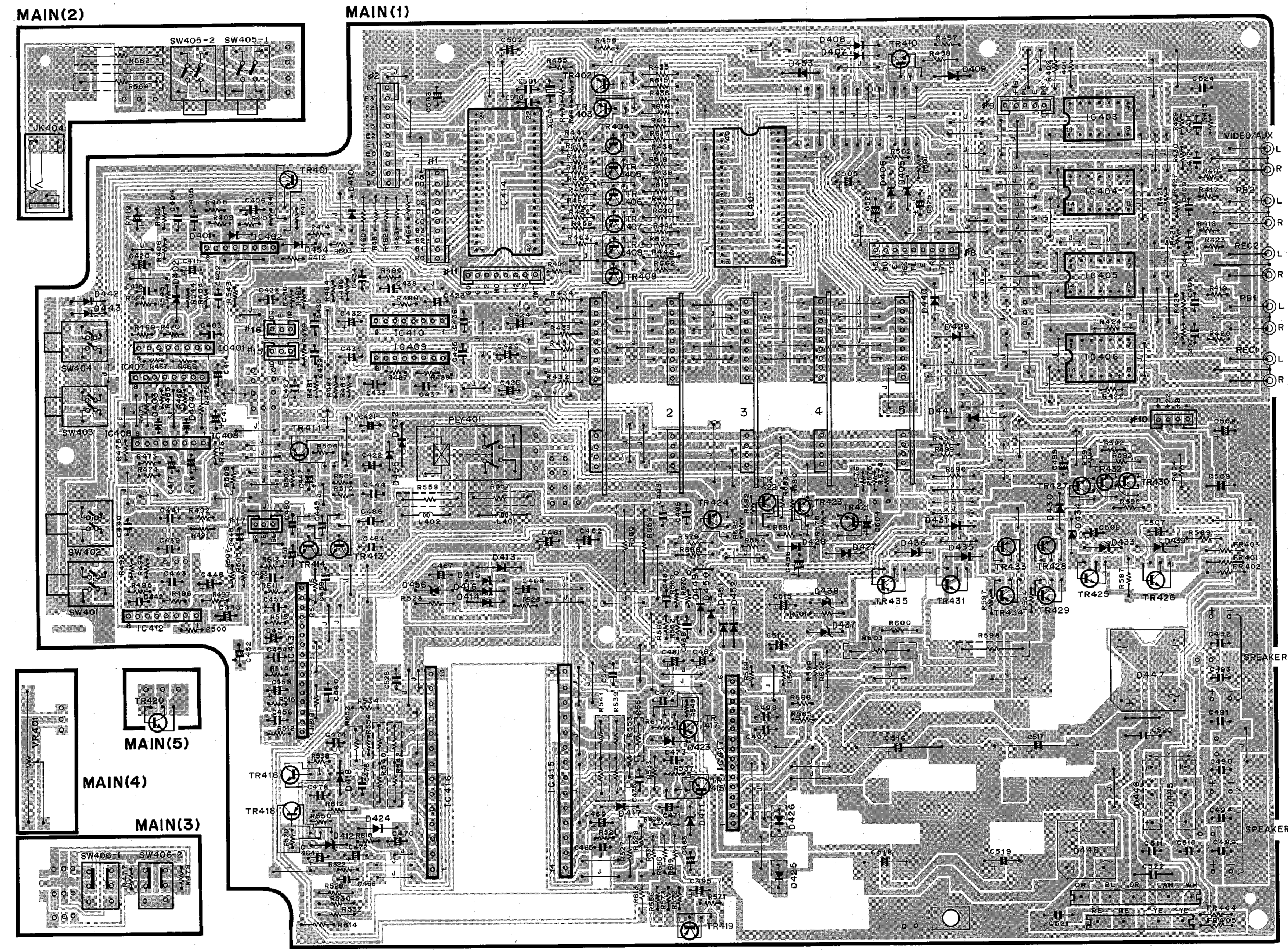


WARNING
UL standard 1270 requires that components marked Δ be replaced with parts having specifications equal to those originally installed.

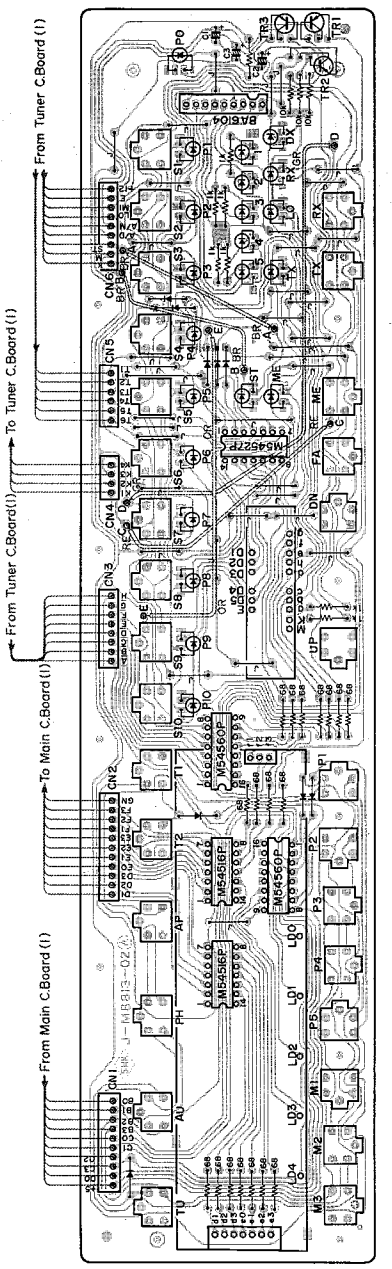
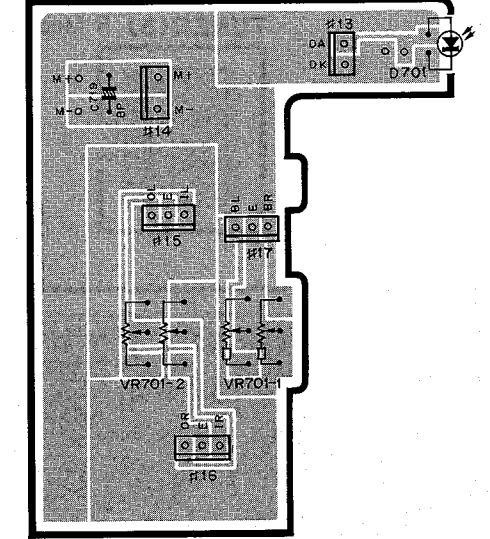
* Schematic diagram is subject to change without notice.
* All voltage are measured with a 1M Ω /V DC voltmeter.

PRINTED CIRCUIT BOARD LAYOUT

1
2
3
4
5
6
7

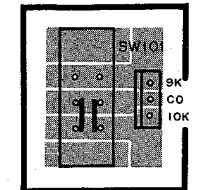


CCSS(6)

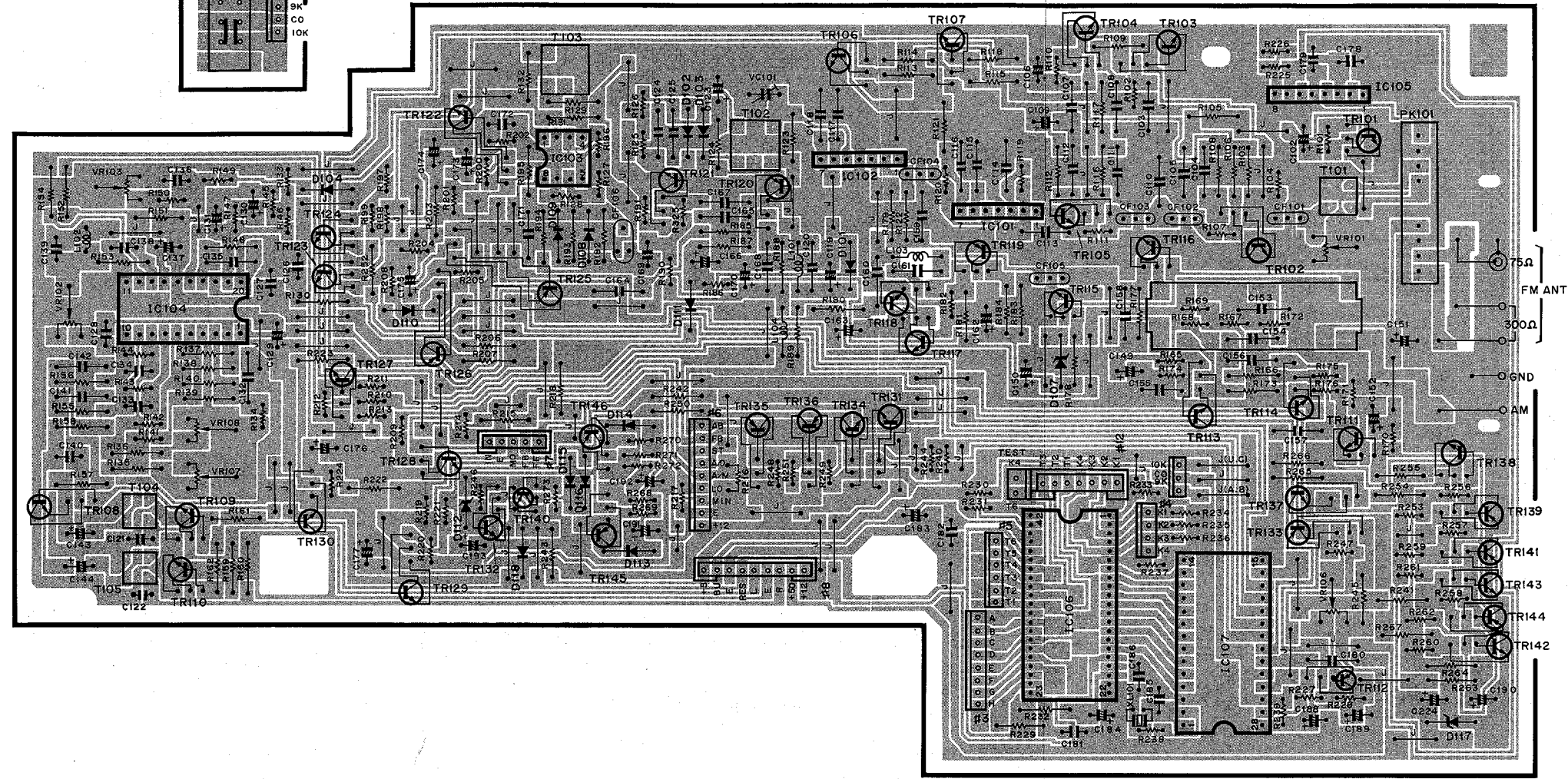


PRINTED CIRCUIT BOARD LAYOUT

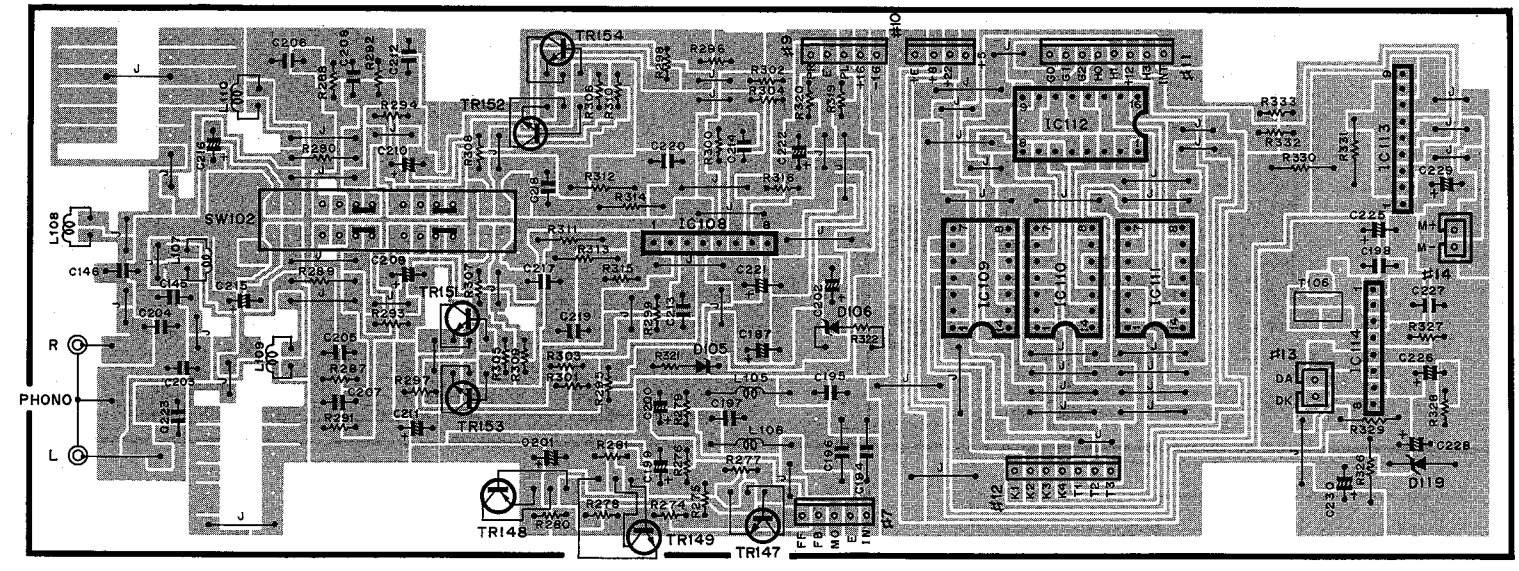
TUNER(3) R Modl only



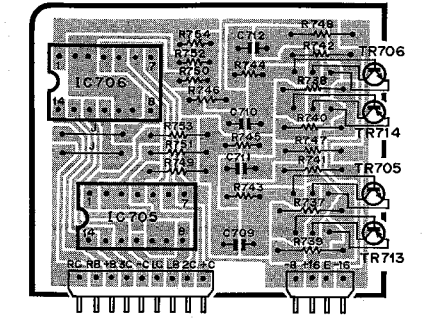
TUNER(1)



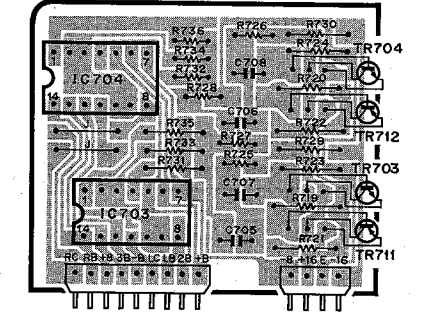
TUNER(2)



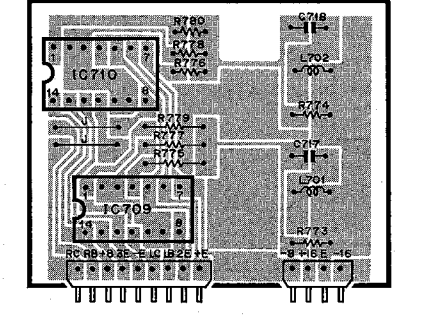
CCSS(1)



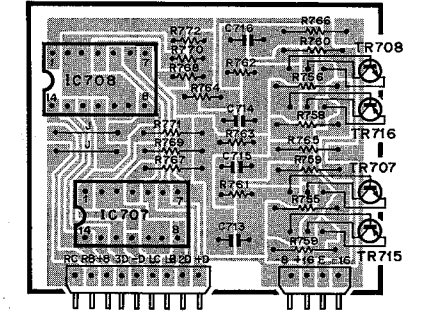
CCSS(2)



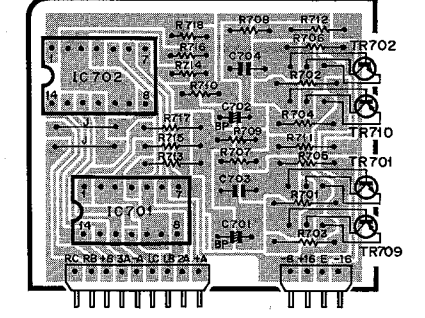
CCSS(3)



CCSS(4)



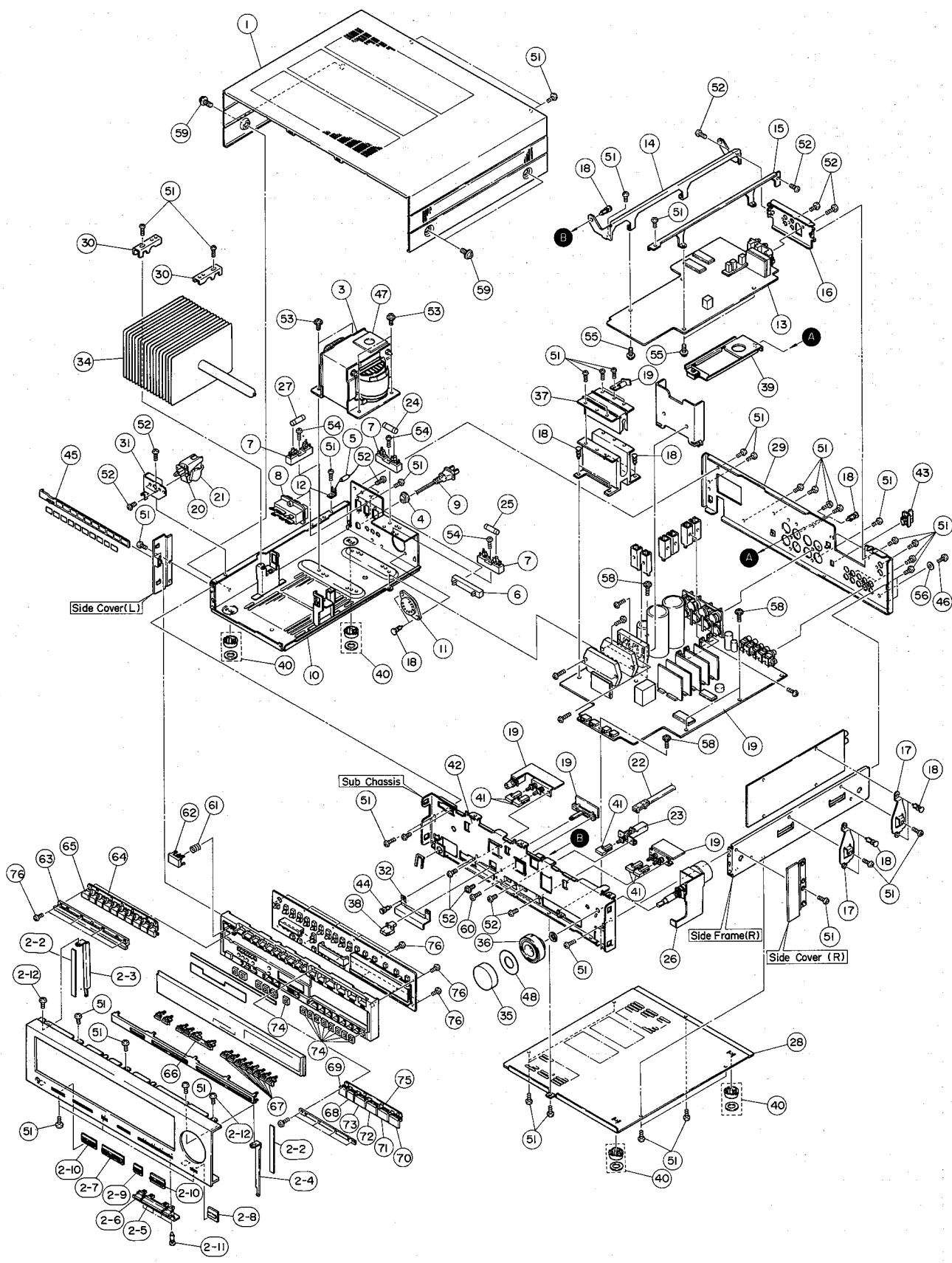
CCSS(5)



1
2
3
4
5
6
7

EXPLODED VIEW (All over)

1
2
3
4
5
6
7



PARTS LIST (Allover)

Ref. No.	Part No.	Description	部 品 名	Remarks	Common Model	Markets	ランク
1	AA 61 65:00	Top Cover	トップカバー		R90	R,U,C	
※	" NB 61 25:10	Top Cover Unit	トップカバーユニット		R90	A	
※	2 NB 61 25:90	Panel Unit	パネルユニット				
※	2-1 PB 06 28:40	Key Board Unit	キーボードユニット				
	2-3 AA 61 67:20	Holder for Unit(L)	ユニットホルダー(L)		R-70		
	2-4 AA 61 67:30	" (R)	" (R)		"		
	2-5 CB 61 82:40	Button, See-Saw	シーソーボタン		"		
	2-6 CB 61 82:50	Button, Single	シングルボタン		"		
	2-7 CB 61 83:10	Frame, Slide	スライド枠		"		
※	2-8 CB 61 83:20	Filter	フィルター				
	2-9 CB 60 80:50	Frame, 1P	1Pワク		R-30		
	2-10 CB 60 80:60	" 2P	2Pワク		K-300		
	2-11 CB 06 88:80	Plastic Rivet	φ3.5 プラスチックリベット				
	2-21 ED 03 00:66	Bind Head Screw	3×6(ZMC2-Y) 鉄バインド小ネジ				
	2-2 CB 07 41:90	Adhesive Tape					
※	3 GA 66 56:00	Power Transformer	電源トランス			R	
※	" GA 66 54:00	"	"			U	
※	" GA 66 55:00	"	"			C	
※	" GA 66 58:00	"	"			A	
	4 CB 07 27:50	Cord Stopper	SR-4N-4 コードストッパー				
	5 HG 30 92:20	Carbon Resistor	2.2MΩ 1/2P RD50S(J) カーボン抵抗			U,C	
	6 LA 00 29:50	Terminal Board 2P	MA0092A 2P中継端子台			A	
	7 LB 20 13:00	Fuse Holder	ヒューズホルダー			R,U,C	
	" LB 20 21:10	"	"			A	
	8 LB 60 48:10	AC Outlet	M7026-B ACアウトレット3連			R,U,C	
	9 MG 00 07:80	AC Cord (Black 2m)	6A 250V 電源コード			R	
	" MG 00 09:20	" (Gray 2.5m)	7.5A 250V "			A	
	" MG 00 14:50	" (Black 1.98m)	10A 125V "	Inter-changeable		U,C	
	" MG 00 14:60	" (Black 2m)	10A 125V "			U,C	
	10 AA 61 65:30	Holder Transformer	トランスホルダー		R-70		
	11 LB 20 14:80	Voltage Selector	O211 電圧切換器			R	
	12 LA 00 44:30	Lug Terminal	P-217 ラグターミナル			U,C	
※	13 NA 08 18:60	Tuner Circuit Board	チューナシート			R	
※	" NA 08 18:70	"	"			U,C	
※	" NA 08 18:80	"	"			A	
	14 AA 61 66:80	Stay, Hinge	ヒンジステイ				
	15 AA 61 66:90	" , Tuner	チューナステイ				
	16 AA 61 67:00	Panel, Antenna	アンテナパネル			U,C,A	
	" AA 61 83:20	"	"			R	
	17 AA 61 67:50	Holder, C.Board	シートホルダー				
	18 CB 06 88:80	Plastic Rivet	φ3.5 プラスチックリベット				
※	19 NA 08 19:60	Main Circuit Board	メインシート			R,A	
※	" NA 08 19:70	"	"			U,C	
※	20 KA 80 24:60	Power Switch	4A/128A パワースイッチ			A	
	" KA 80 25:50	"	TV-8 "			R,U,C	
	21 Fi 38 41:00	Ceramic Capacitor	セラコン				
※	22 KA 90 53:60	Remote Push Switch	Wire Section リモートプッシュSW				
※	23 KA 90 34:70	"	Operaiton "				

※ : New Parts (新部品)

Ref. No.	Part No.	Description	部 品 名	Remarks	Common Model	Markets	ランク
24	KB 00:13:00	Fuse	T7.0A 250V	ヒューズタイラッシュ		R	
"	KB 00:07:60	"	T3.15A 250V	" ㊟タイムラグ		A	
"	KB 00:15:20	"	7A 250V	" ULタイムラグ		U,C	
25	KB 00:03:80	"	T4.0A 250V	" タイラッシュ		R	
26	NA 08:20:00	CCSC Citcuit Board		CCSSシート			
27	KB 00:03:50	Fuse	T2.0A 250V	ヒューズタイラッシュ		R	
"	KB 00:07:20	"	T800mA 250V	" タイムラグ		A	
"	KB 00:10:30	"	2.0A 250V	" UL SS-2		U,C	
28	AA 61:65:40	Bottom Cover		ボトムカバー	R-70		
※	29	AA 61:66:40	Rear Panel	リヤパネル		R	
※	"	AA 61:66:50	"	"		U,C	
※	"	AA 61:66:70	"	"		A	
30	AA 61:67:70	Pipe Lock	φ16	パイブロック	R-90		
31	AA 61:67:40	Stay, Switch Power		パワースイッチステイ	R-70		
32	AA 61:67:80	Slit Cover		スリットカバー	"		
33	AA 61:72:00	Holder, Electrolytic Cap.		ケミコンホルダー	R-90		
34	BA 08:58:60			ヒートキッカー	"		
35	BA 08:57:90	Knob, VOL.		VOL.ツマミ	R-70		
36	BA 08:58:00	" BAL.		BAL.ツマミ	"		
37	BA 08:58:40	Holder, Pipe		パイプ押え	R-90		
38	CB 61:82:80	Knob, Slide		スライドツマミ	R-70		
39	CB 08:37:20	Holder, Circuit Board		基板ホルダー	A-1		
40	CB 61:03:90	Leg	TL-067	脚	K-200		
41	CB 61:01:30	Push Button		プッシュボタン	"		
42	CB 09:43:60	Spacer		プリントスペーサー	A-550		
43	CB 60:74:70	Holder, Antenna		アンテナホルダー	T10		
44	CB 61:84:90	Plastic Rivet	φ3	プラスチックリベット	R-70		
45	NB 61:19:40	Slider Ass'y		スライダ-Ass'y	R-90		
46	EZ 00:14:00		⊕3×13.5(MFNI-II)	アース端子ネジ			
※	47	CB 62:00:80	Rubber Untivibration	防振ゴム			
49	CB 62:01:00	Rubber Untivibration		防振ゴム	R70		
50	CB 62:01:50	"		"	"		
51	Ei 33:00:86	Bind Tapping Screw	3×8(FCM3-Bℓ)	鉄バインドタッピング	PACK	R,U,C	
52	ED 33:00:66	Bind Head Screw	3×6(")	鉄バインド小ネジ	PACK		
53	ED 34:00:66	Pan Head Screw	4×6(")	バインド小ネジ	PACK		
"	EV 20:30:46	Flat Washer	4φ(FCRM3-Bℓ)	平座金	PACK		
54	Ei 33:01:06	Bind Head Tapping Screw	3×10(FCM3-Bℓ)	鉄バインドタッピングネジ	PACK		
55	EA 33:01:06	Pan Head Screw	3×10(")	ナベ小ネジ	PACK		
"	EV 20:30:36	Flat Washer	3φ(FCRM3-Bℓ)	平座金	PACK		
56	EV 20:10:46	Flat Washer Semes type	4φFNM3-3G	平座金	PACK		
57	ED 32:60:46	Bind Head Screw	2.6×4(FCM3-Bℓ)	鉄バインド小ネジ	PACK	R	
58	EJ 33:00:86	Pan Head Tapping Screw	3×8(FCM3-Bℓ)	ナベタッピングネジ	PACK		
"	EV 20:30:36	Flat Washer	3φ(FCM3-Bℓ)	平座金	PACK		
59	EZ 00:13:10		4×8(φ10)(FNM3-3g)	鉄カップスクリュー	PACK		
60	EA 32:00:36	Pan Head Screw	2×3(FCM3-Bℓ)	ナベ小ネジ3種	PACK		

※ : New Parts (新部品)

PARTS LIST (Circuit Board)

Ref. No.	Part No.	Description	部 品 名	Remarks	Common Model	Markets	ランク
※	NA 08 18 60	Tuner Circuit Board	チューナーシート			R	
※	NA 08 18 70	"	"			U,C	
※	NA 08 18 80	"	"			A	
※							
	FG 41 22 20	Ceramic Capacitor	220PF 50V(K)	セラコン	C207,208		
	FG 41 31 00	"	1000PF "	"	C169,179		
	FG 44 41 00	"	0.01 μ F 50V(Z)	"	C128,178,182,223		
	FG 41 24 70	"	470P	"	C198		
	F 19 12 20	Ceramic Capacitor	22PF 50VCH(J)	セラコン	C185,186		
	F 19 14 70	"	47PF 50V	"	C110		
	FG 21 21 00	"	100PF "	"	C124,125		
	FG 21 31 00	"	1000PF "	"	C120,159,196		
	FG 21 24 70	"	470PF "	"	C194		
	FG 21 34 70	"	4700PF "	"	C132,141,142		
	Fi 22 41 00	"	0.01 μ F 25V	"	C103~105,107, 108,160,161,165, 118~111,154~157 167,168,171,180		
	Fi 22 42 20	Ceramic Capacitor	0.022 μ F 25V	セラコン	C164		
	Fi 22 42 20	"	" "	"	C135,153,158		
	FS 25 26 80	SA Capacitor	680PF 50V(J)	フォーミングSAコン	C136		
	FU 35 12 70	Mica Capacitor	27PF 500V(F.E)	マイカコン	C181		
	UA 25 24 70	Mylar Capacitor	470PF 50V(J)	マイラーコン	C133,134	A	
	UA 25 26 80	"	680PF "	"	"	R,U,C	
	UA 25 26 80	"	" "	"	C127		
	UA 25 31 50	"	1500PF "	"	C126		
※	UA 25 28 20	"	820PF "	"	C121,122		
	UA 25 36 80	"	6800PF "	"	C140,213,214		
	UA 25 41 00	"	0.01 μ F "	"	C138,139,205,206		
	UA 25 41 50	"	0.015 μ F "	"	C197		
	UA 25 41 60	"	0.016 μ F "	"	C219,220		
	UA 25 44 70	"	0.047 μ F "	"	C172,195,227		
	UA 25 45 60	"	0.056 μ F "	"	C217,218		
※	Ui 91 91 00	Electrolytic Capacitor	1000 μ F 6.3V	超小形ケミコン	C215,216		
※	Ui 93 82 20	"	220 μ F 16V	"	C192		
	UW 91 74 70	"	47 μ F 6.3V	ケミコン	C193		
	UW 91 81 00	"	100 μ F "	"	C229,162,166		
	UW 91 82 20	"	220 μ F "	"	C123		
	UW 93 71 00	"	10 μ F 16V	"	C102,109,119,129, 130,149,163,170, 176,183,189,175		
	UW 93 73 30	Electrolytic Capacitor	33 μ F 16V	ケミコン	C150,190		
	UW 93 74 70	"	47 μ F "	"	C191		
	Ui 93 84 70	Electrolytic Capacitor	470 μ F 16V		C202		
	UW 94 64 70	"	4.7 μ F 25V	"	C209,210		
	UW 92 82 20	"	220 μ F 10V	"	C211,212		
	UW 94 64 70	"	470 μ F 16V	"	C221,222		
	UW 94 71 00	"	10 μ F 25V	"	C225,230		

※ : New Parts (新部品)

Ref. No.	Part No.	Description	部 品 名	Remarks	Common Model	Markets	ランク
	UW:94:74:70	Electrolytic Capacitor	47 μ F 25V	ケミコン			
	UW:94:81:00	"	100 μ F "	"			
	UW:96:54:70	"	0.47 μ F 50V	"			
	UW:96:61:00	"	1 μ F "	"			
※	UL:46:61:00	"	" "	"			
	UW:96:62:20	Electrolytic Capacitor	2.2 μ F 50V	ケミコン			
※	UL:46:62:20	"	2.2/50V	ケミコン			
	UW:96:63:30	"	3.3 μ F "	"			
	FY:00:01:90	Trimmer Capacitor	5PF CT25 IA117	トリマーコン			
※	GE:90:12:30	Inducter	38KHz	インダクター			
	GE:10:02:80	"		FMディスクリコイル			
※	GE:10:06:50	FM IFT					
	GE:90:12:20	Lowpass Filter	10K:10K	ローパスフィルター			
	GE:30:04:50	Inducter	1mH	インダクター			
	GE:30:05:00	"	12 μ H	"			
	GE:30:05:10	"	120 μ H	"			
	GE:90:06:90	RF Inducter	8.2mH	RFインダクター			
	GG:00:04:20	AM Ceramic Discr	CDA450A	AMセラミックディスクリ			
	GG:00:06:00	Ceramic Filter Kit (4pcs)	SFE10.7 MX-2 KMFC264-Z " MS3GX2	セラミックフィルターキット			
				"			
	GG:00:06:60	AM Ceramic Filter	SFU45089	AMセラミックフィルター			
	HF:85:41:00	Carbon Resistor	10 Ω $\frac{1}{2}$ W R16T	カーボン抵抗			
※	HF:85:42:20	"	22 Ω "	"			
※	HF:85:45:60	"	56 Ω "	"			
※	HF:85:51:00	"	100 Ω "	"			
	HF:85:51:50	"	150 Ω "	"			
※	HF:85:52:20	"	220 Ω "	"			
※	HF:85:53:30	"	330 Ω "	"			
※	HF:85:58:20	"	820 Ω "	"			
※	HF:85:61:00	"	1K Ω "	"			
※	HF:85:61:20	"	1.2K Ω "	"			
※	HF:85:61:50	"	1.5K Ω "	"			
	HF:85:61:80	"	1.8K Ω "	"			
※	HF:85:62:20	"	2.2K Ω "	"			
※	HF:85:63:30	"	3.3K Ω "	"			
※	HF:85:64:70	"	4.7K Ω "	"			
※	HF:85:65:60	"	5.6K Ω "	"			
※	HF:85:66:80	"	6.8K Ω "	"			
※	HF:85:68:20	"	8.2K Ω "	"			
※	HF:85:71:00	"	10K Ω "	"			
※	HF:85:71:20	"	12K Ω "	"			

※ : New Parts (新部品)

Ref. No.	Part No.	Description	部 品 名	Remarks	Common Model	Markets	ランク
※	HF 85 71 50	Carbon Resistor	15KΩ 1/8W R16T	カーボン抵抗	R150,204,128		
※	HF 85 72 20	"	22KΩ "	"	R146,225,226,240		
※	HF 85 72 70	"	27KΩ "	"	R168,262		
※	HF 85 73 30	"	33KΩ "	"	R149,256		
※	HF 85 73 90	"	39KΩ "	"	R261		
※	HF 85 74 70	"	47KΩ "	"	R224, 244, 220		
					246,319,320		
※	HF 85 76 80	"	68KΩ "	"	R276		
※	HF 85 81 00	"	100KΩ "	"	R143,144,198,171		
					199,209,211,213,		
					216,217,219,221,		
					230,231,233~237,		
					273,274,291~294		
※	HF 85 81 80	"	180KΩ "	"	R327		
※	HF 85 82 20	"	220KΩ "	"	R133,197,201,210,		
					212,238,260		
※	HF 85 83 30	"	330KΩ "	"	R111,239,259		
※	HF 85 83 90	"	390KΩ "	"	R325		
※	HF 85 84 70	"	470KΩ "	"	R175,208, 202		
※	HF 85 91 00	"	1MΩ "	"	R247,258		
	HT 37 00 10	Semi Variable Resistor	B1KΩ EVN-52J	半固定VR	VR101		
	HT 37 00 50	"	B5KΩ "	"	VR106		
	HT 37 00 20	"	B10KΩ "	"	V103		
	HT 37 00 80	"	B20KΩ "	"	VR107,108		
	HT 37 00 30	"	B100KΩ "	"	VR102		
	HU 57 81 00	Metal Film Resistor	100KΩ SN14K2E	金属被膜抵抗	R229		
	HV 45 32 20	Flame Proof Carbon Resistor	2.2Ω RDF-25SL	不燃化カーボン抵抗	R330,331		
	iA 09 70 00	Transistor	2SA970(GR,BL)	トランジスタ	TR120		
	iA 09 99 10	"	2SA999(E,F)	"	TR112,119,125,126,		
	iA 11 27 00	"	2SA1127(R,S,T)	"	133,139~141,	Inter-changeable	
					144~146,148		
	iA 09 99 10	"	2SA999(E,F)	"	TR135~136		
※	iC 19 23 00	"	2SC1923	"	TR102,105,117		
	iC 23 20 10	"	2SC2320(E,F)	"			
	iC 26 34 00	"	2SC2634(R,S,T)	"	TR101,103,104,106	Inter-changeable	
					108,111,113,114,116,147		
					118,121~124,127~132,134,137,138,142,143,147,149		
	iD 06 55 00	"	2SD655(D,E,F)	"	TR107	Inter-changeable	
※	iD 10 12 00	"	2SD1012(G,H)	"	109,110,115		
※	iD 13 02 00	"	2SD1302(R,S)	"			
	iD 07 86 00	"	2SD786(Q,R,S)	"	TR151~154		
	iF 00 00 40	Diode	IS1555	ダイオード	D103,102		
	iF 00 00 40	"	"	"	D101,104,108~111	Inter-changeable	
	iF 00 06 70	"	IS2473	"	D113~116,118		
	iF 00 13 90	Zener Diode	RD30E-C	ツェナーダイオード	D117		
	iF 00 18 40	"	RD3.0EB2	"	D107,112		
	iF 00 21 70	"	RD13EB3	"	D119		
	iF 00 29 90	"	HZ7B-1L	"	D105,106		
	iG 00 13 90	IC	NJM4558DV	IC	IC103		
	iG 02 92 20	"	LA3380	"	IC104		
	iG 03 45 00	"	μPC577H(E,F)	"	IC101,102		
	iG 04 14 00	"	M54459L	"	IC105		

※ : New Parts (新部品)

Ref. No.	Part No.	Description	部 品 名	Remarks	Common Model	Markets	ランク
※	NA 08 19 60	Main Circuit Board		メインシート		RA	
※	NA 08 19 70	"				UC	
※							
	FG 41 21 00	Ceramic Capacitor	100PF 50V(K)	セラコン	C500,501		
	FG 41 21 20	"	120PF "	"	C435~438		
	FG 21 21 80	"	180PF "	"	C433,434		
	FG 41 22 20	"	220PF "	"	C429,430		
	FG 41 23 30	"	330PF "	"	C403		
	FG 41 25 60	"	560PF "	"	C453,454,455,456		
	FG 41 31 00	"	1000PF "	"	C449,450		
	FG 41 33 30	"	3300PF "	"	C487,488		
	FG 41 34 70	"	4700PF "	"	C404,405,524		
	FG 44 41 00	"	0.01 μ F 50V(Z)	"	C497,498,510,511		
	UA 25 42 70	Mylar Capacitor	0.027 μ F 50V(J)	マイラーコン	C402		
	FH 23 41 00	Ceramic Capacitor	0.01 μ F 500VYZ(P)	セラコン	C520,521		
	FH 61 02 00	"	2PF 500V CH	"	C459,460		
	FH 61 15 60	Ceramic Capacitor	56P 500V(CH)	セラコン	C527,528		
	FZ 00 35 80	Super Capacitor	0.047F 5.5V	スーパーキャパシタ	C505		
※	FZ 00 41 80	Block Electrolytic Capacitor	10000 μ F 82V	ブロックケミコン	C516,517		
※	FZ 00 39 40	"	6800 μ F 46V	"	C518,519		
※	FZ 00 42 20	"	"	"			
	FA 15 33 00	Mylar Capacitor	3000PF 50V(J)	マイラーコン	C442,443		
	UA 25 34 70	"	4700PF "	"	C440		
	UA 25 41 00	"	0.01 μ F "	"	C416,473,474		
	UA 25 42 20	"	0.022 μ F "	"	C465,466		
	UA 25 43 30	"	0.033 μ F "	"	C444,475~478		
	UA 25 51 00	"	0.1 μ F "	"	C427,428		
	UA 25 51 50	"	0.15 μ F "	"	C439,441		
	UA 25 52 20	"	0.22 μ F "	"	C483~486		
	UW 69 54 70	Electrolytic Capacitor	0.47 μ F 100V	ケミコン	C481,482		
	UW 69 73 30	"	33 μ F "	"	C461,462		
	UW 91 81 00	"	100 μ F 6.3V	"	C431,432,457,458,		
					495,496		
	UW 81 91 00	"	1000 μ F "	"	C503		
	UW 82 74 70	"	47 μ F 10V	"	C445~448,451,452,		
					469,470,467,468,		
					504,525,526		
	UJ 12 91 00	"	1000 μ F 10V	"	C508		
	UW 94 81 00	"	100 μ F 25V	"	C419~422,514,515		
	UW 94 92 20	"	2200 μ F "	"	C509		
	UW 96 54 70	"	0.47 μ F 50V	"	C502		
	UW 96 61 00	"	1 μ F "	"	C413~415,417,418		
	UW 96 63 30	"	3.3 μ F "	"	C499		
	UW 96 71 00	"	10 μ F "	"	C406,423~426,463,464		
					471,472,506,507		
	GD 90 03 40	Out Put Coil	1.5 μ H	アウトプットコイル	L401,402		
※	GG 00 06 90	Ceramic Resonator	393KHz	セラミックレゾネータ	XL401		
	HF 85 42 70	Carbon Resistor	27 Ω $\frac{1}{4}$ W R16T	カーボン抵抗	R576		

※ : New Parts (新部品)

Ref. No.	Part No.	Description	部 品 名	Remarks	Common Model	Markets	ランク
	HF 85 52 20	Carbon Resistor	220Ω 1/8W R16T	カーボン抵抗	R481,482,575		
	HF 85 52 20	"	" "	"	R415-420		
	HF 85 52 70	"	270Ω "	"	R483,484		
	HF 85 53 30	"	330Ω "	"	R475,476,515,516, 549,550,592,537		
	HF 85 46 80	"	68 "	"	R511,512		
	HF 85 61 00	"	1KΩ "	"	R410,501,502 544		
	HF 85 62 20	"	2.2KΩ "	"	R477,478		
	HF 85 62 70	"	2.7KΩ "	"	R485,486,526		
	HF 85 63 30	"	3.3KΩ "	"	R404,455		
	HF 85 63 90	"	3.9KΩ "	"	R504,554,505,507, 508		
	HF 85 64 70	"	4.7KΩ "	"	R421-423,521,561,562 491-494,522		
	HF 85 66 80	"	6.8KΩ "	"	R487-490 457,497,500		
	HF 85 71 00	"	10KΩ "	"	R408,469,591		
	HF 85 71 20	"	12KΩ "	"	R567,568		
	HF 85 71 50	"	15KΩ "	"	R495,496,574		
	HF 85 72 20	"	22KΩ "	"	R407,413,406,473, 520,474		
	HF 85 72 70	"	27KΩ "	"	R581,609,610		
	HF 85 73 30	"	33KΩ "	"	R513,514		
	HF 85 74 70	"	47KΩ "	"	R467,468,569,570, 573,594,597		
※	HF 85 76 80	"	68KΩ "	"	R565,566,584,585 R405,409,571,412,		
	HF 85 81 00	"	100KΩ "	"	414,524,454,456, 506,509,510,545		
	HF 85 81 20	"	120K "	"	R425-430		
	HF 85 81 50	"	150KΩ "	"	R470		
	HF 85 82 70	"	270KΩ "	"	R465,466,479,480		
	HF 85 83 30	"	330KΩ "	"	R403,411,572,543		
	HF 85 84 70	"	470KΩ "	"	R556,578		
※	HF 85 91 00	"	1MΩ "	"	R443		
	HL 71 34 70	Metal Oxide Film Resistor	1P 4.7Ω	酸化抵抗	R557,558		
	HL 72 41 00	"	2P 10Ω	"	R559,560		
	HL 92 52 70	"	2P 270Ω	"	R563,564		
※	HM 05 52 20	Cement Resistor	5P 220Ω M0-4P	セメント抵抗	R598,603		
※	HQ 42 02 80	Slide Variable Resistor	B5K S3018	スライドVR	VR401		
	HV 45 41 00	Flame Proof Carbon Resistor	10Ω RDF25CL	不燃化カーボン抵抗	R498,499		
※	HV 45 43 30	"	33Ω RDF25SL	"	R595		
※	HV 25 51 00	"	100Ω "	"	R579,596		
※	HV 45 63 90	"	3.9KΩ "	"	R527,528		
※	HW 59 34 70	Fuse Resistor	4.7Ω 1/4P	ヒューズ抵抗	FR401-405		
	HZ 00 19 40	Dual Metal Plate Resistor	2P 0.22×2(MPC702)	デュアル金属板抵抗	R539-542		
※	HZ 00 29 00	Metal Plate Resistor	5P 0.22(MPC74)	金属板抵抗	R551,552		
	iA 07 77 00	Transistor	2SA777	トランジスタ	TR417,418		
	iA 09 70 00	"	2SA970(GR,BL)	"	TR419,432-434		

※ : New Parts (新部品)

Ref. No.	Part No.	Description	部 品 名	Remarks	Common Model	Markets	ランク
	iA 09:99:10	"	2SA999(E,F)	トランジスタ	TR402~409,411,422		
	iA 11:27:00	Transistor	2SA1127(R,S,T)	"		Inter-changeable	
	iB 05:07:00	"	2SB507	"	TR435		
	iC 09:82:00	"	2SC982	"	TR424,427		
	iC 27:05:00	"	2SC2705(O,Y)	"	TR415,416		
	iC 19:83:00	"	2SC1983	"	TR425,426		
	iC 22:40:00	"	2SC2240(GR,BL)	"	TR428~430		
	iC 23:20:10	"	2SC2320(E,F)	"	TR401,410,421,423	Inter-changeable	
	iC 26:34:00	"	2SC2634(R,S,T)	"			
	iC 28:78:00	"	2SC2878	"	TR413,414		
	iD 03:13:00	"	2SD313(E,F)	"	TR431		
	iD 04:00:20	"	2SD400(F)	フィン付	TR420		
	iF 00:00:40	Diode	IS1555	ダイオード	D401,402,455,		
					407~410,423,424	Inter-changeable	
	iF 00:06:70	"	IS2473	"	427~429,432,440,		
					442,443,453,454		
	iF 00:14:00	"	ISS82	"	D413~418,430,431,		
					434~436,449~452		
	iF 00:34:40	Zener Diode	RD6,2EB2	ツェナーダイオード	D439		
	iF 00:22:00	Balactor Diode	SVC321(A,B,C,D)	バラクターダイオード	D403,404		
	iF 00:25:50	Zener Diode	HZ9A-1	ツェナーダイオード	D405,406		
	iF 00:23:50	"	HZ12-B2	"	D433		
	iF 00:30:40	"	HZ18-1L	"	D411,412,437,438		
	iF 00:06:40	"	HZ7B	"	D456		
※	iG 10:34:00	IC	STK7120	IC	IC417		
	iG 05:82:00	"	M5218L	"	IC401,402,407,408,		
					412		
	iG 08:92:00	"	LC4066B	"	IC403~406	Inter-changeable	
	iG 06:16:00	"	μPD4066BC	"			
※	iG 09:15:00	"	STK8800II	"	IC415,416		
※	iG 09:17:00	"	LC6502	"	IC414		
※	iG 09:18:00	"	M-50780	"	IC411		
※	iG 09:20:00	"	M5220L	"	IC409,410		
	iG 09:22:00	"	STK3101Y	"	IC413		
	iH 00:07:10	Diode	W06C	ダイオード	D441		
	iH 00:07:70	Diode Bridge	SIRBA	ダイオードブリッジ	D445,446		
	iH 00:08:70	"	4D4B41	"	D448		
	iH 00:10:10	"	RB602	"	D447		
	iH 00:11:00	"	S6K20	"	D425,426		
※	KA 80:38:00	Push Switch	SDWA	プッシュスイッチ	SW405		
※	KA 80:38:20	"	SUN	"	SW406		
※	KA 90:29:30	Tact Switch	SPQ009A	タクトスイッチ	SW401~404		
	KC 00:11:00	Relay (JC2aD)	AR3421 DC12V	リレー	RY401	R,A	
※	KC 00:14:90	"	"	"	"	U,C	
	LB 20:22:70	Pin Jack	2P T5854-AA	2Pピンジャック	PJ401		
	LB 40:10:30	"	4P T5857-AA	4P "	PJ402,403		
	LB 30:17:50	Headhone Jack	HLJ0540-01-020	ヘッドホーンジャック	JK404		
※							
	LA 00:23:30	Wrapping Terminal	4P P=7.5	I型ラッピング端子板			
	LA 00:23:40	"	5P "	"			
	LA 00:34:30	SP Terminal One Lock		8P SPターミナルワンロック			

※ : New Parts (新部品)

Ref. No.	Part No.	Description	部 品 名	Remarks	Common Model	Markets	ランク
	LB:91:20:30	Short Plug type I	3P EMCS0352M	ショートプラグI型			
	LB:91:20:50	"	5P EMCS0552M	"			
	LB:91:20:80	"	8P EMCS0852M	"			
※	LB:92:11:00	LP Connector Plug I type	10P W-P9010	LPコネクタープラグI型			
※	LB:92:11:10	"	11P W-P9011				
	LB:91:20:40	Short Plug type I	4P EMCS0452M	ショートプラグI型			
※	BA:08:58:30	Heat Sink Block		放熱ブロック	R-90		
	CB:06:88:80	Plastic Rivet	φ3.5	プラスチックリベット			
	BA:08:40:00	Heat Sink		放熱板			
	BB:06:83:70	Metal Fitting		アース金具			
※	BA:08:62:70	Heat Sink		放熱板			
	E1:33:00:66	Bind Head Tapping Screw	3×8(FCM3-Bℓ)	鉄バインドタッピングネジ	B byte		
	E1:33:01:46	"	3×14(")	"	"		
※	AA:61:88:20	Shielded Plate, L-Type		L型シールド板			
	NA:08:20:00	CCSS Circuit Board		CCSSシート			
	UA:25:41:60	Mylar Capacitor	0.016μF 50V(J)	マイラーコン	C713,714		
	UA:25:42:20	"	0.022μF "	"	C703,704		
	FA:15:36:20	"	6200PF "	"	C707,708		
	UA:25:34:70	"	4700PF "	"	C717,718		
	UA:25:46:20	"	0.062μF "	"	C709,710		
	UA:25:51:50	"	0.15μF "	"	C715,716		
	FA:15:52:70	"	0.27μF "	"	C705,706		
	FA:15:55:60	"	0.56μF "	"	C711,712		
	UK:16:61:00	Electrolytic Capacitor	1μF 50V	B.Pコン	C701,702,719		
※	GE:90:10:30	Inductor	22mH	インダクター	L701,702		
	HF:85:55:60	Carbon Resistor	560Ω 1/8W R16T	カーボン抵抗	R707,708,725,726		
	HF:85:54:70	"	470Ω "	"	R754,772		
	HF:85:58:20	"	820Ω "	"	R761,762,743,744		
	HF:85:61:50	"	1.5KΩ "	"	R718,736		
	HF:85:62:70	"	2.7KΩ "	"	R780		
	HF:85:63:90	"	3.9KΩ "	"	R750,768		
	HF:85:64:70	"	4.7KΩ "	"	R714,732		
	HF:85:66:80	"	6.8KΩ "	"	R776		
	HF:85:68:20	"	8.2KΩ "	"	R752,770		
	HF:85:71:00	"	10KΩ "	"	R716,734,778		
	HF:85:92:20	"	2.2MΩ "	"	R709,710,727,728, 745,746,763,764, 773 774		
※	HS:31:20:40	Rotary Variable Resistor	100KA×2+2K×2	ロータリーVR	VR701		
	iA:09:99:10	Transistor	2SA999(E,F)	トランジスタ	TR709~716		
	iA:11:27:00	"	2SA1127(R,S,T)	"		Inter-changeble	
	iC:23:20:10	"	2SC2320(E,F)	"	TR701~708		
	iC:26:34:00	"	2SC2634(R,S,T)	"		Inter-changeble	
※	iF:00:45:90	Photo Diode	TPS703	フォトダイオード	D701		

※ : New Parts (新部品)

Ref. No.	Part No.	Description	部 品 名		Remarks	Common Model	Markets	ランク
	IG:06:16:00	IC	μ PD4066BC	IC	IC701-710			
	LB:90:40:40	Anchor Type Plug	M34-0430-134P	M34アンクルタイププラグ				
	LB:90:40:90	"	M34-0930-139P	"				
	LB:91:20:20	Short Plug type I	2P EMCS0252M	ショートプラグ I 型				
	PB:06:28:40	Keyboard Unit		キーボードユニット				
	KA:80:29:50	Switch		タクトSW				
	IF:00:00:40	Diode	1S1555	ダイオード				
	IA:09:37:00	Transistor	2SA937	トランジスタ				
	IG:04:68:00	IC	BA6104	IC				
	IG:04:94:00	IC	LB1274	IC			Inter-changeable (Replaced by "IC"LB1274")	
		IC	M54527P	IC				
	IG:03:11:00	IC	M54516P	IC				
	IX:60:14:70	IC	M54560P	IC				
	IF:00:44:10	Frequency Display	LC205MK(N)	周波数表示器				
	IF:00:45:40	LED (Red)	SCR34URC3H	LED(赤)				
	IF:00:42:70	" (Red)	SCR55URC3H	" ("				
	IF:00:45:50	" (Green)	SCR34MC3H	" (緑)				
	IF:00:44:00	CCSS LED Unit	LS-050	CCSS LED Unit				
	IX:60:14:80	LED Unit		LEDユニット	Signal Q			
	UW:86:62:20	Electrolytic Cap	2.2 μ F 50V	ケミコン				
		Remote Control unit RS-100						
※	IX:60:16:00	IC	μ PD1943G	IC	IC1			
	IC:23:20:10	Transistor	2SC2320	トランジスタ	Q1			
	IB:05:44:00	"	2SB544	"	Q2			
※	IX:60:16:10	LED	TLN105, A	LED	D1, D2, D3			
	IF:00:00:40	Diode	1S1555	ダイオード	D4, D5, D6, D7			
	IF:00:23:30	Zener Diode	HZ7A-2L	ツェナーダイオード	D8			
※	IF:60:12:30	LED	SLP-146B	LED	D9			
	QX:60:00:20	Ceramic OSC	CSB455EB	セラミック発振子	Z1			
	UJ:13:82:20	Electrolytic Cap	220 μ F 16V	ケミコン	C1			
	UJ:12:81:00	"	100 μ F 10V	"	C2			
	FI:19:21:00	Ceramic Capacitor	100PF	セラコン	C3, C4			

※ : New Parts (新部品)

R-100

YAMAHA